

HDMI 3x1 Switch  
B-240-HDSWITCH-3X1

**BINARY**

## INSTALLATION MANUAL



FC CE

## IMPORTANT SAFETY INSTRUCTIONS

To reduce the risk of fire or electric shock, read and follow all instructions and warnings in this manual. Keep this manual for future reference.

1. Read and follow all instructions and warnings in this manual. Keep for future reference.
2. Do not use this apparatus near water.
3. Clean only with a dry cloth.
4. Do not block any ventilation openings. Install according to manufacturer's instructions.
5. Do not install near any heat sources such as radiators, heat registers, stoves or other apparatus (including amplifiers) that produce heat.
6. Do not override the safety purpose of the polarized or grounding-type plug. A polarized plug has two blades - one wider than the other. If the provided plug does not fit into your outlet, consult an electrician for replacement of the obsolete outlet.
7. Protect the power cord from being walked on or pinched particularly at plug, convenience receptacles, and the point where it exits from the apparatus.
8. Only use attachments/accessories specified by the manufacturer.
9. Unplug this apparatus during lightning storms or when unused for long periods of time.
10. Refer all servicing to qualified service personnel. Servicing is required when the apparatus has been damaged in any way, such as when the power-supply cord or plug is damaged, liquid has been spilled or objects have fallen into the apparatus, the apparatus has been exposed to rain or moisture, does not operate normally, or has been dropped.
11. Do not expose this equipment to dripping or splashing and ensure that no objects filled with liquids, such as vases, are placed on the equipment.
12. To completely disconnect this equipment from the AC mains, disconnect the power supply cord plug from the AC receptacle..



The lightning flash with arrowhead symbol, within an equilateral triangle, is intended to alert the user to the presence of uninsulated dangerous voltage within the product's enclosure that may be of sufficient magnitude to constitute a risk of electric shock to persons.



The exclamation point within an equilateral triangle is intended to alert the user to the presence of important operating and maintenance (servicing) instructions in the literature accompanying the appliance.



## 1. PRODUCT OVERVIEW

Welcome to Binary. This product is engineered to provide years of exceptional reliability. We appreciate your business, and we stand committed to providing our customers with the highest degree of quality and service in the industry. This product is compatible with HDMI 2.0/ HDCP 2.2 and supports 4K@60 Hz 4:2:0.

## 2. FEATURES

- Switches 3 HDMI sources to a single display
- 10.2 Gbps Bandwidth
- Full 4K - 4K@60Hz (4:2:0) including Full 1080p with Deep color
- Supports 7.1 channel surround sound, DTS-HD Master Audio and TrueHD high bit rate audio
- Input Switching via Front Panel or included IR Remote
- Input memory allows the switch to return to the last selected input if powered off

## 3. PACKAGE CONTENTS

- 1x HDMI Switcher, 3x1
- 1x 12VDC power adapter
- 2x Mounting Ears
- 4x Mounting Screws
- 4x Rubber Feet
- 1x Installation Manual
- 1x IR Remote

## 4. DEVICE LAYOUT

### 4.1. B-240-HDSWTCH-3x1 Front View

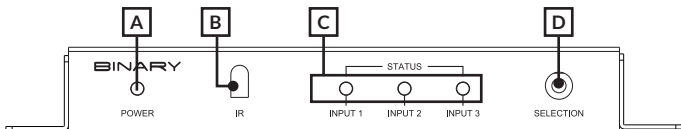


FIGURE 1: Front Layout

**A. Power LED**

Lights up blue when the unit has power

**B. IR Sensor**

Receives IR signals from IR emitting devices

**C. Input Status LEDs**

Indicates signal transfer over output ports

**D. Source Selector Button**

Press to select active output port

### 4.2. B-240-HDSWTCH-3x1 Rear View

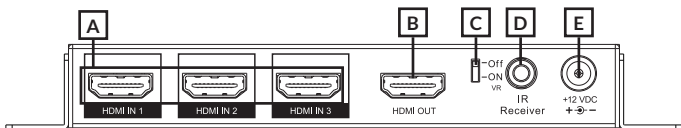


FIGURE 2: Rear Layout

**A. HDMI Inputs**

Connect HDMI cable from source

**B. HDMI Output**

Connect HDMI cables to local display

**C. DIP Switch**

**IR RCVR PWR OFF/ON**

OFF to connect to control system | ON to connect to IR Receiver

**D. IR Receiver IN**

IR input to connect to IR Receiver or to output of a control system

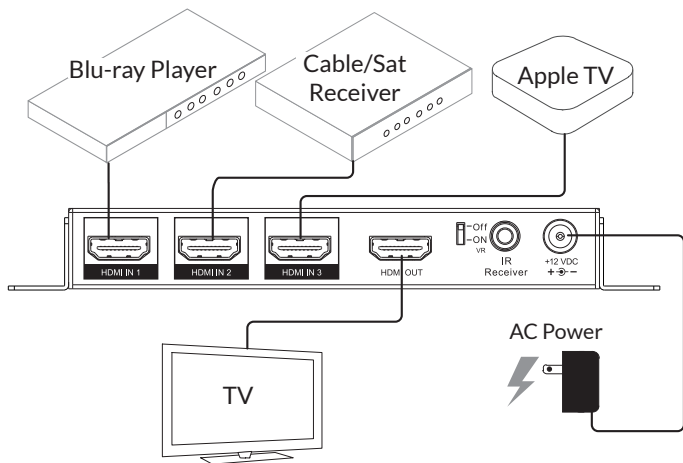
**E. Thread-locking Power Connector**

Connect to the included 12V DC, 2A power Supply

## 5. INSTALLATION

1. Connect an HDMI cable from the sources to the B-240-HDSWTCH inputs.
2. Connect an HDMI cable the B-240-HDSWTCH output to a display (monitor or projector).
3. Connect the power to the B-240-HDSWTCH.
4. Inputs can be switched by IR or Front Panel button.

**NOTE:** Blue LED indicates successful sync



## 6. SPECIFICATIONS

Technical	
HDMI Compliance	HDMI 2.0
HDCP Compliance	HDCP 2.2
Video Bandwidth	10.2 Gbps
Video Support	480p, 576p, 720p, 1080i, 1080p, 4k@30 4:4:4, 4K@60 4:2:0
Input TMDS Signal	1.2V (peak-to-peak)
Input DDC Signal	5V (peak-to-peak, TTL)
ESD Protection	(1) Human body model: $\pm 15\text{kV}$ (air-gap discharge) & $\pm 8\text{kV}$ (contact discharge) (2) Core chipset – $\pm 8\text{kV}$
IR Signal (Bidirectional)	Carrier frequency: 20–60kHz

Connections	
HDMI	4x HDMI Type A (19-pin female)
IR Receiver (In)	1x 3.5mm Mono/Stereo
Power	Thread-Locking

Controls	
DIP switch 1	IR RCVR PWR OFF/ON

Mechanical	
Housing	Metal enclosure
Dimensions	Without Bracket 5.18" W x 0.71" H x 2.75" D
	With Bracket 6.25" W x 0.71" H x 2.75" D
Weight	1.88 lbs. (0.86 kg)
Power Supply	12V DC, 2A
Power Consumption	12W (max)
Operation Temperature	32–104°F
Storage Temperature	-4–140°F
Relative Humidity	20–90% RH (no condensation)
Certifications and Compliance	Product: CE, FCC, RoHS
	Power Supply: CE, FCC, RoHS, UL

## 7. WARRANTY

### 2-Year Limited Warranty

This Binary product has a 2-Year limited warranty. This warranty includes parts and labor repairs on all components found to be defective in material or workmanship under normal conditions of use. This warranty shall not apply to products that have been abused, modified or disassembled. Products to be repaired under this warranty must be returned to SnapAV or a designated service center with prior notification and an assigned return authorization number (RA).

## 8. SUPPORT

866.838.5052

For SnapAV customers, [snapav.com](http://snapav.com)

For Aisle 8 customers, [onaisle8.com](http://onaisle8.com)

# **BINARY**

Rev: 240718-0915 | A6 Booklet fold  
© 2024 Binary