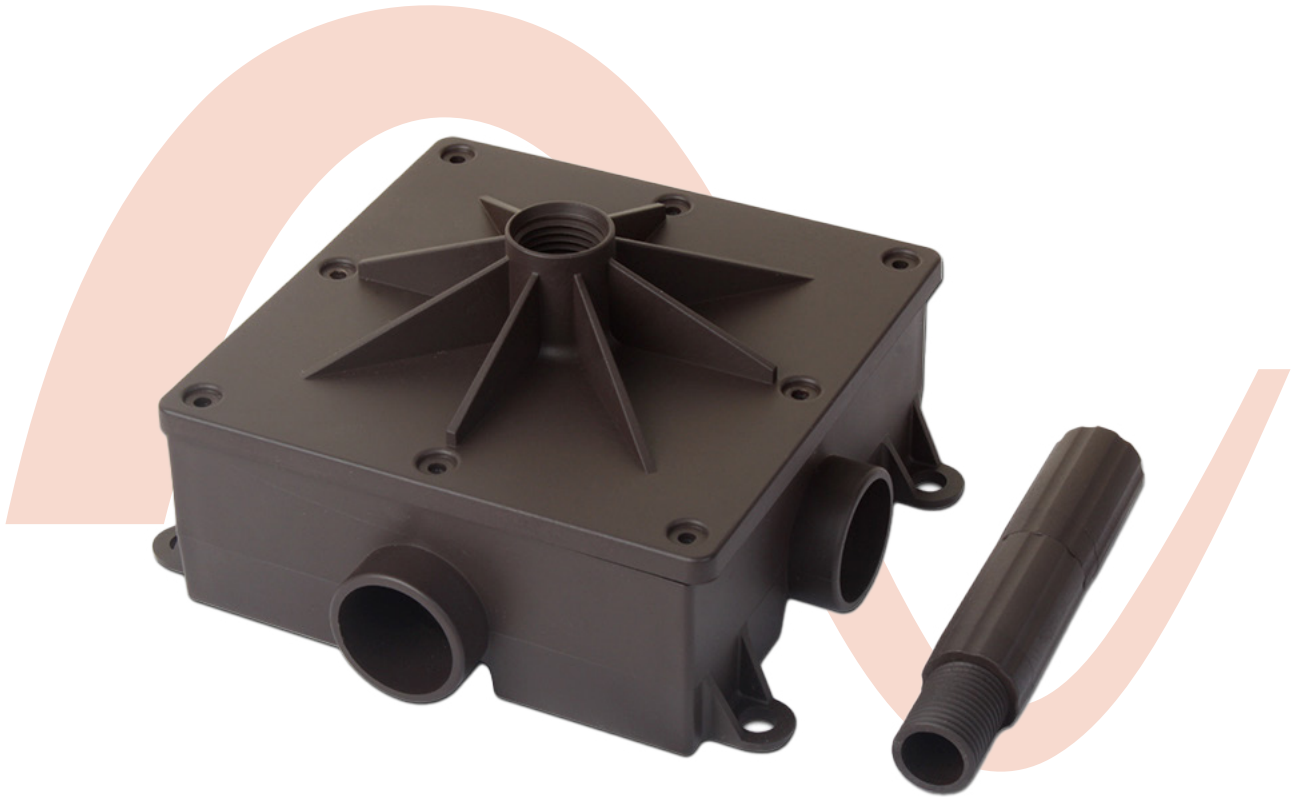




**ES-LS-MOUNT-BOX**  
**Direct Burial Mounting Box**



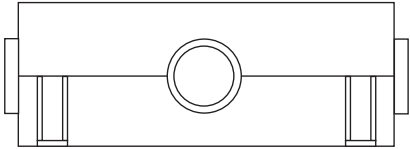
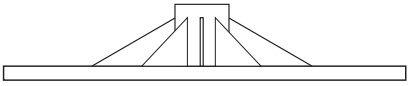
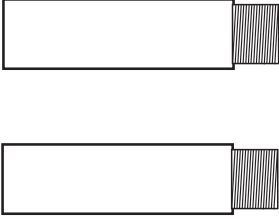
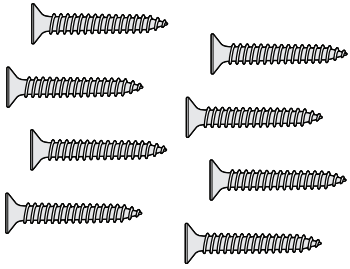
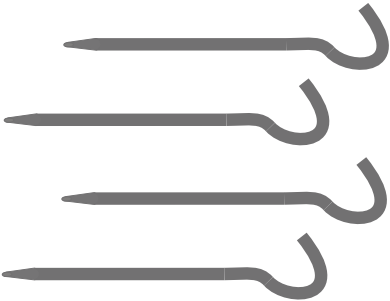
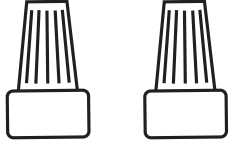
**Installation Manual**

# Specifications

## Dimensions

- H x W x D without Extension Sleeves : 78mm x 133mm x 133mm (3" x 5¼" x 5¼")
- H x W x D with one Extension Sleeve : 128.8mm x 133mm x 133mm (5" x 5¼" x 5¼")
- H x W x D with two Extension Sleeves : 179.6mm x 133mm x 133mm (7" x 5¼" x 5¼")
- Extension Sleeves x2: 50.8mm (2") each sleeve
- Mount box has openings for ¾" conduit
- Extensions sleeves have ½" NPT threads

## Box contents:

		
<b>Mount box x1</b>	<b>Box cover x1</b>	<b>Extension sleeves x2</b>
		
<b>Stainless steel cover screws x8</b>	<b>Aluminum ground stakes x4</b>	<b>Weatherized wire nuts</b>

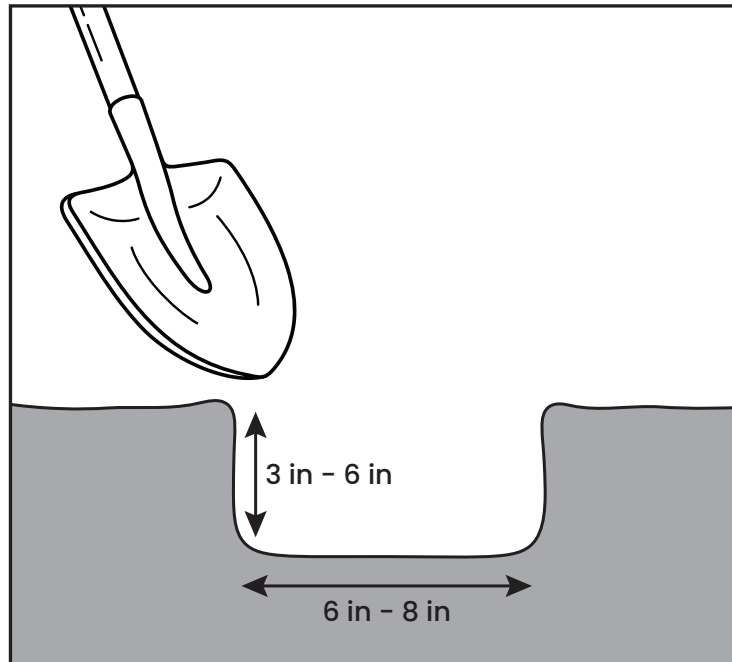
## Required tools:

- #2 Phillips screwdriver
- Flat blade screwdriver
- Power drill
- Hammer
- Shovel
- Silicone caulk
- PVC glue- for PVC conduit and/or fittings

## Installation

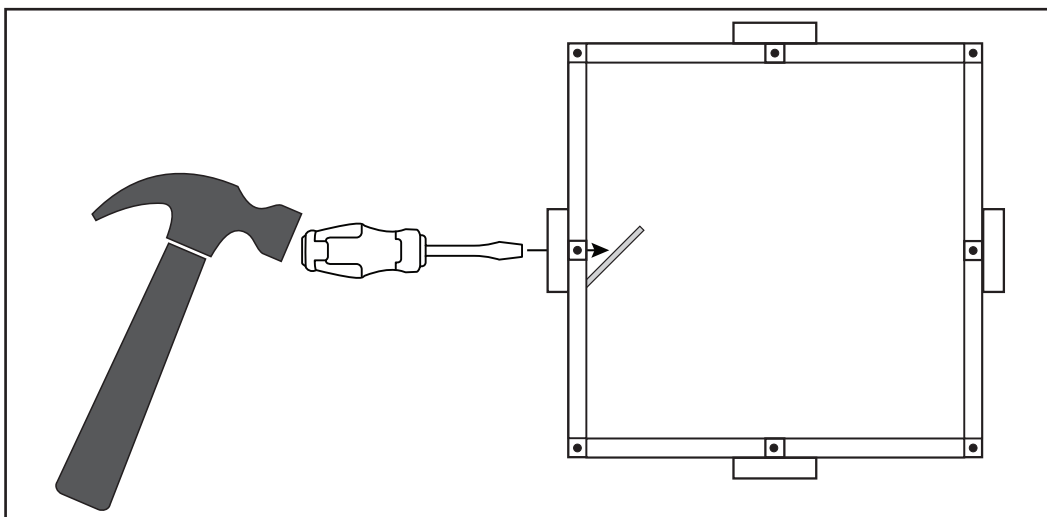
The ES-LS-MOUNT-BOX for Episode® Landscape Speakers is a PVC direct-burial wiring solution that may be used with PVC electrical conduit or direct burial speaker cable. The weatherized wire nuts and optional extensions allow for mounting in nearly any outdoor location.

1. Dig trenches and route the speaker cable or conduit to the speaker location.
2. Dig a hole for the box 3 to 6 inches (76mm to 152mm) deep and 6 to 8 inches (150mm to 200mm) wide. Level the bottom of the hole.

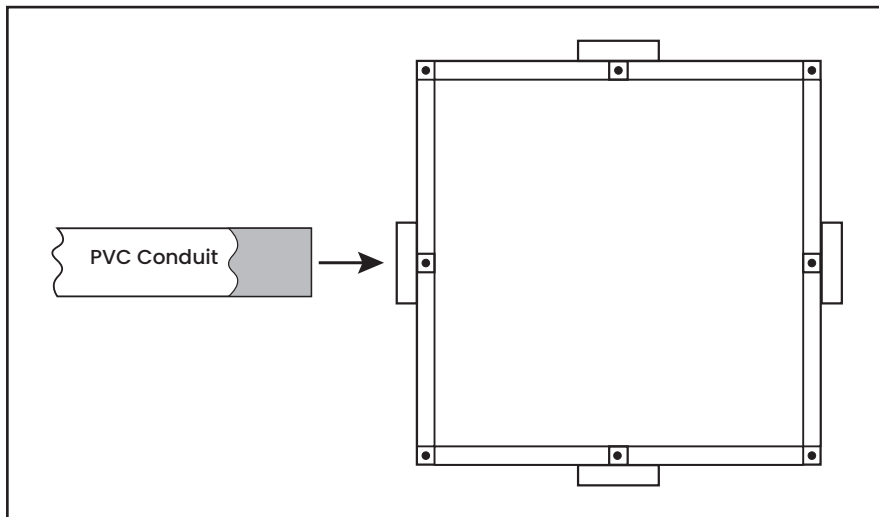
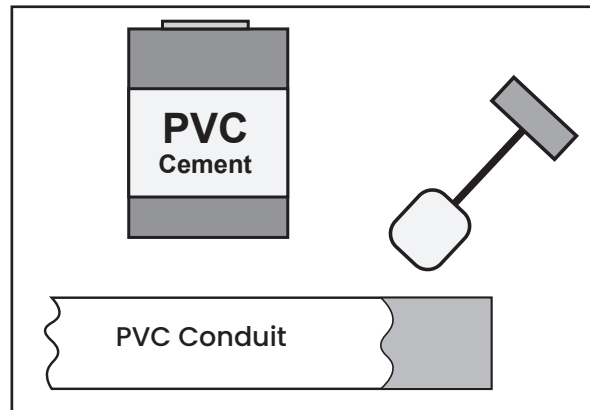


### Route cables - PVC Conduit

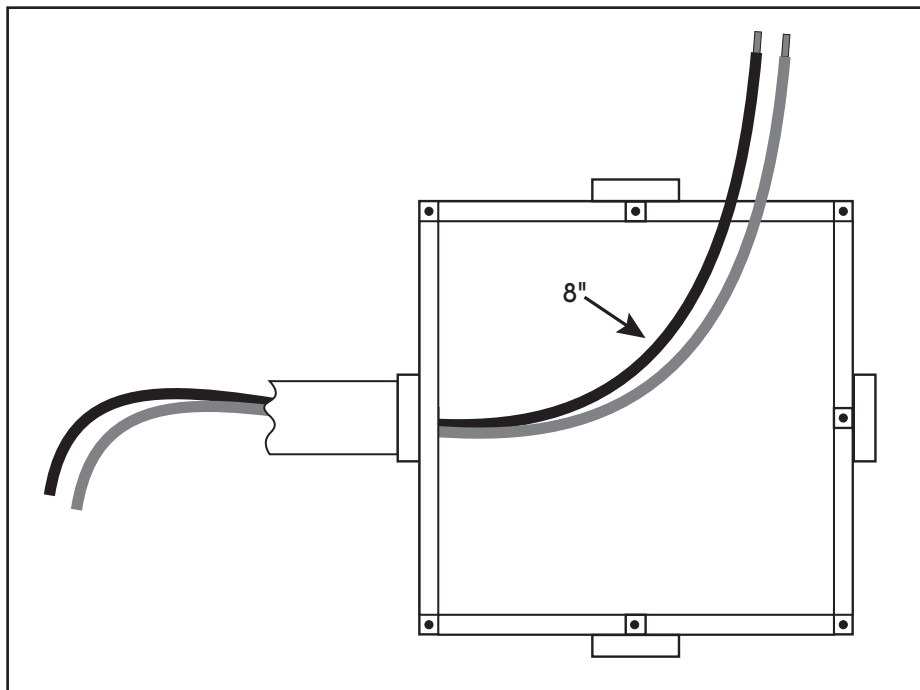
1. PVC - Use a screwdriver to knock out the appropriate opening(s) as shown.



2. Glue the conduit and box together using PVC cement.



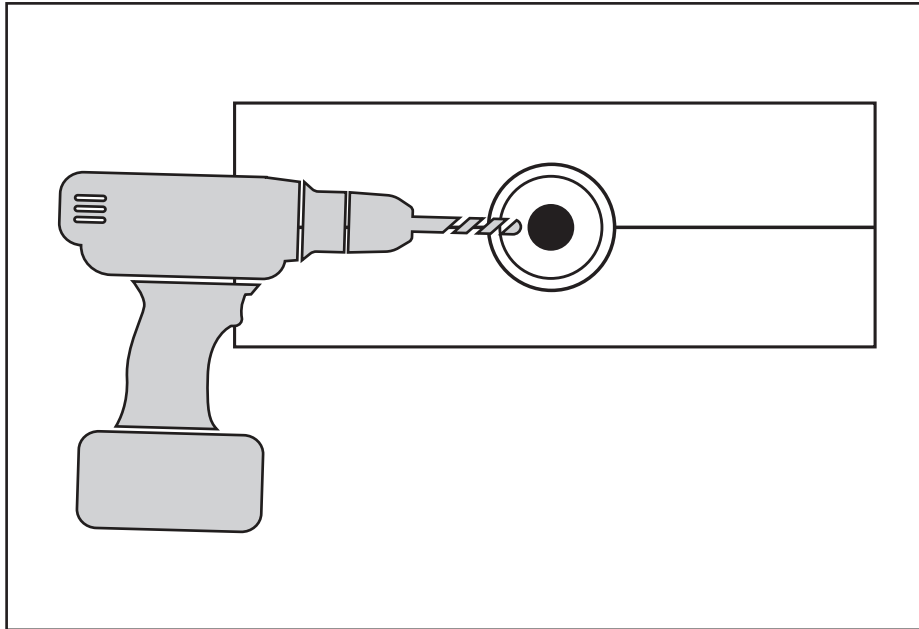
3. Route the cable through the conduit and pull at least 8 inches (200mm) of cable into the box cavity.



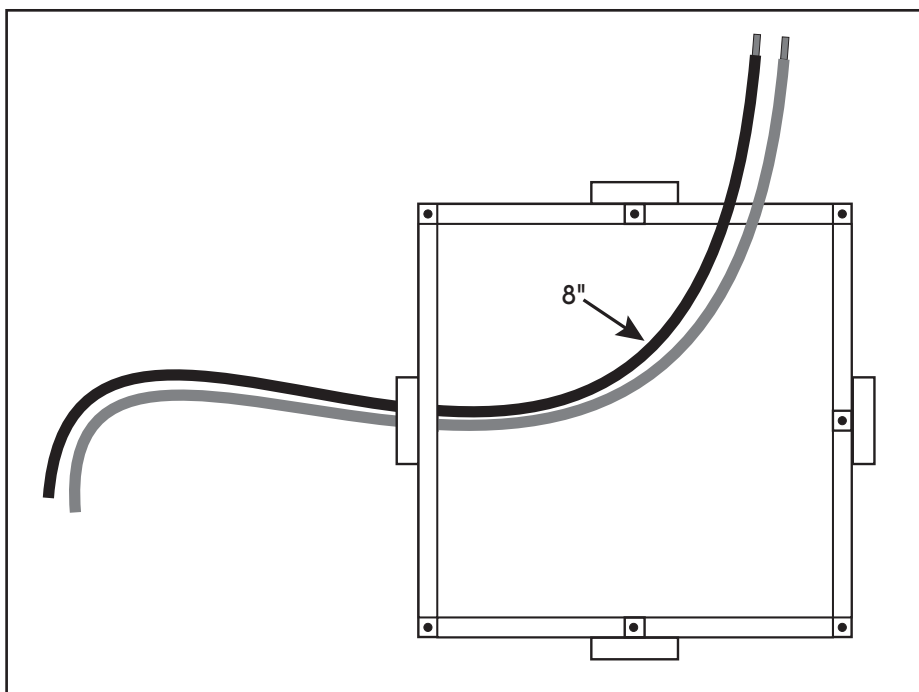
**Pro Tip:** Make sure that all PVC connections are securely glued. Use silicone caulk to seal any openings used for cable. Allow caulk and glue to dry completely before burying the box.

## Route Cables - Direct Burial Cable

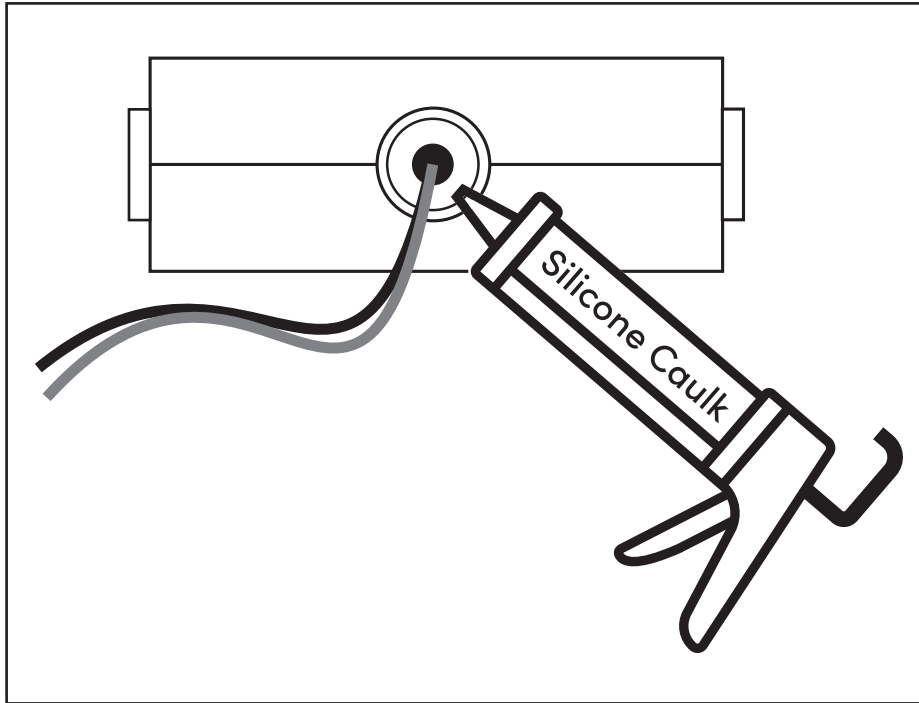
1. Drill a hole into the center of the knockout slightly larger than the cable.



2. Route the cable through the hole and pull at least 8 inches (200mm) of cable into the box cavity.



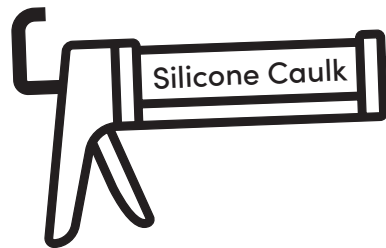
- c. Seal the entrance completely with silicone.



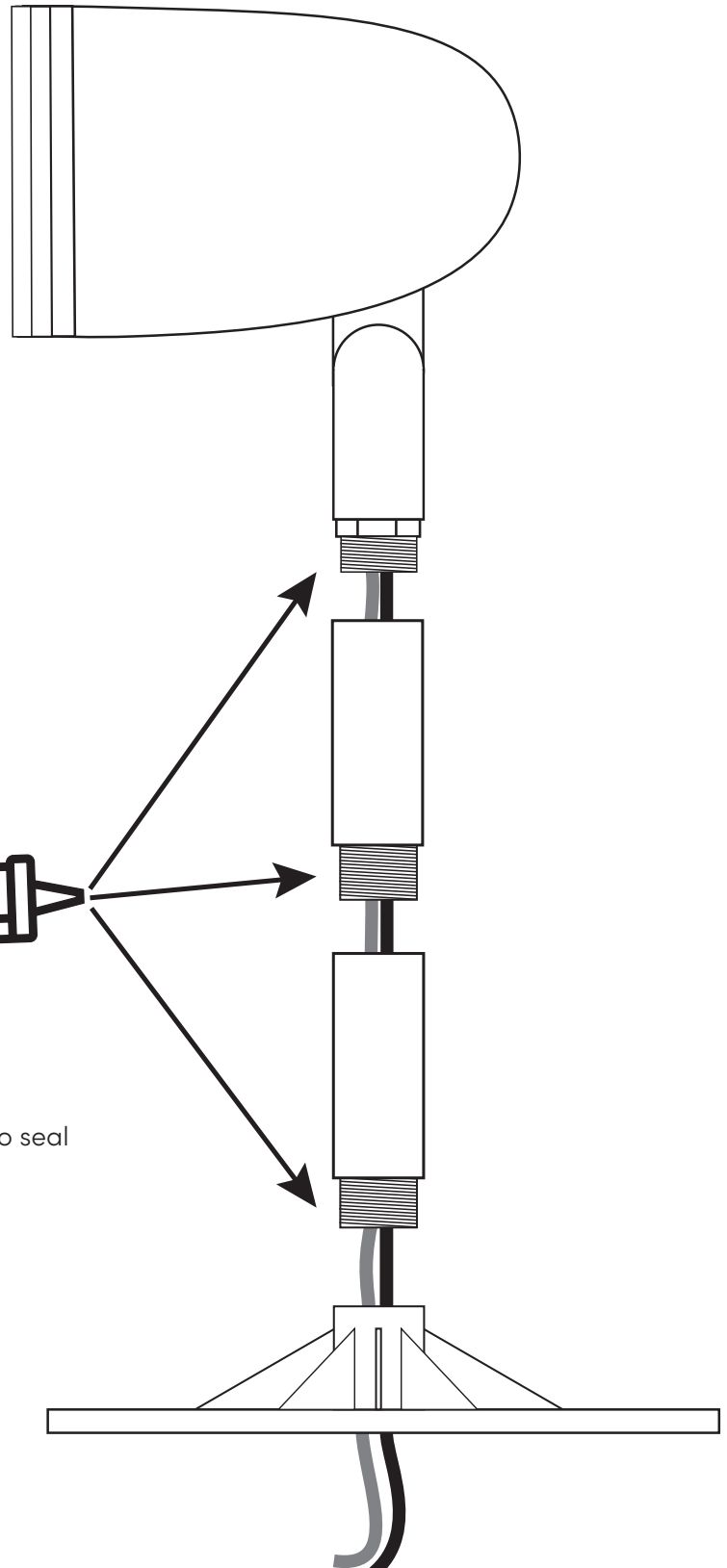
**Pro Tip:** Make sure that all PVC connections are securely glued. Use silicone caulk to seal any openings used for cable. Allow caulk and glue to dry completely before burying the box.

## Install the speaker onto the box cover

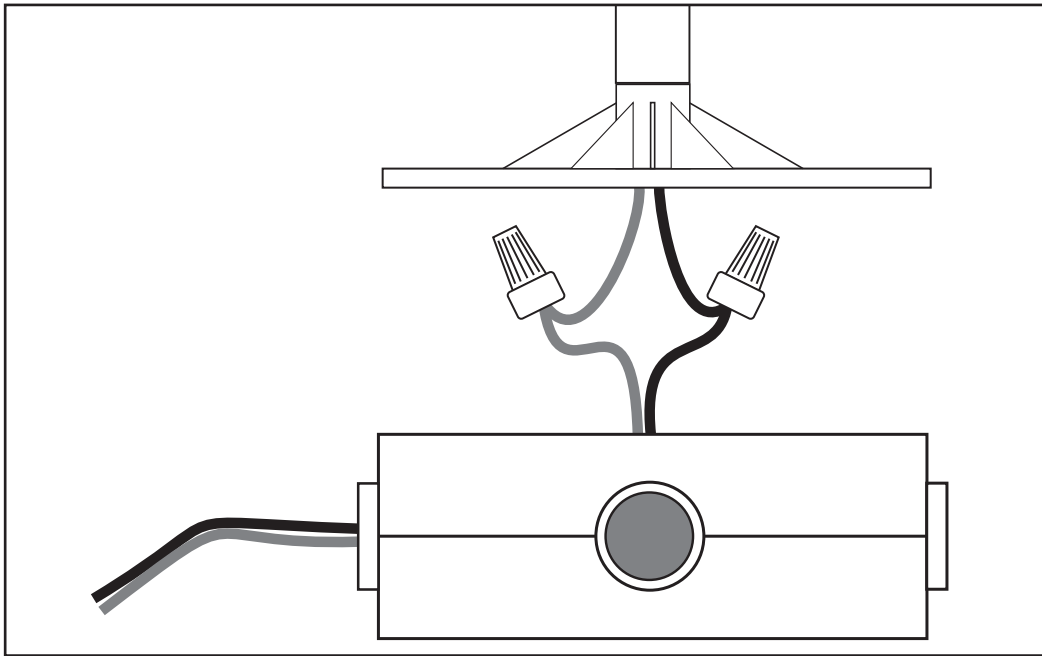
1. Use one or both of the 2" extensions to raise the speaker up to four additional inches, as needed.



2. Use silicone on the coupler threads to seal the assembly against moisture.

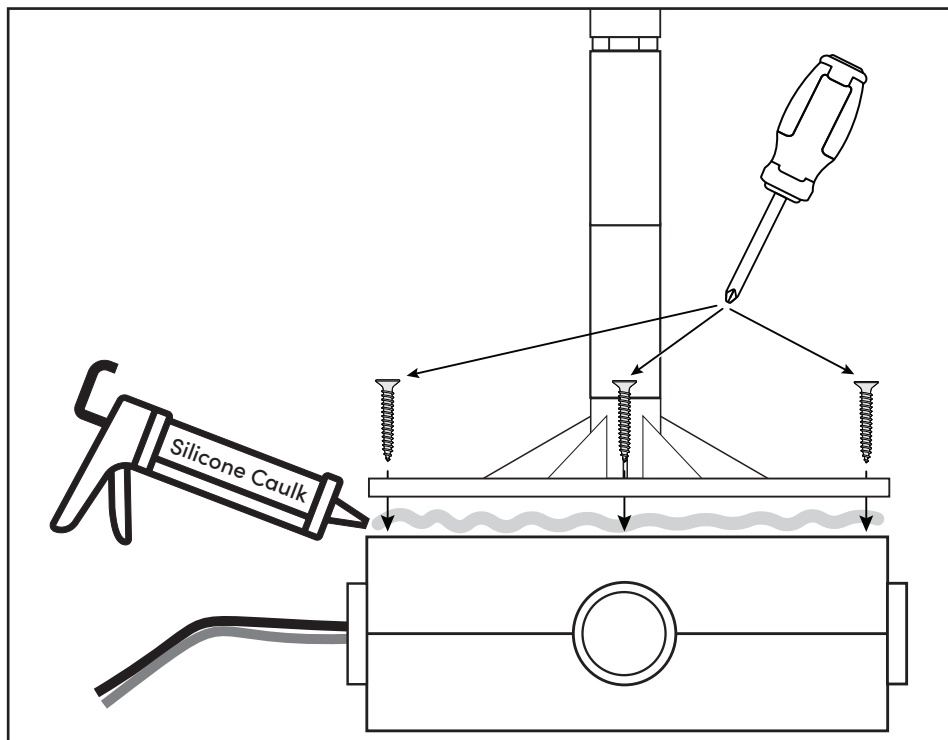


- Use the weatherproof wire nuts included with the speaker to terminate the wiring connections. Turn the wire nuts clockwise by hand until they are tight.



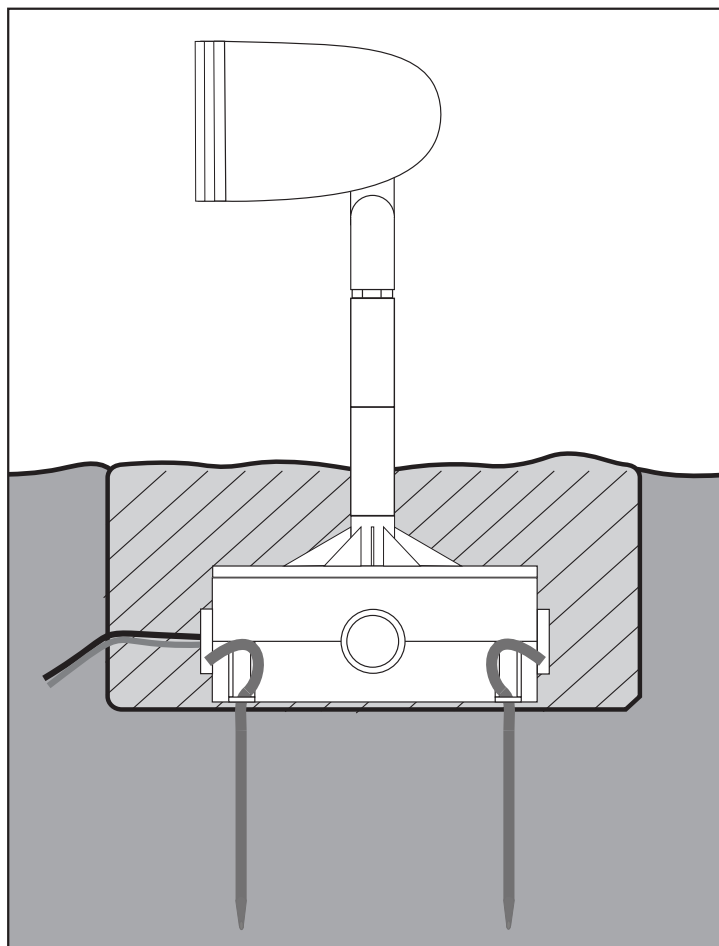
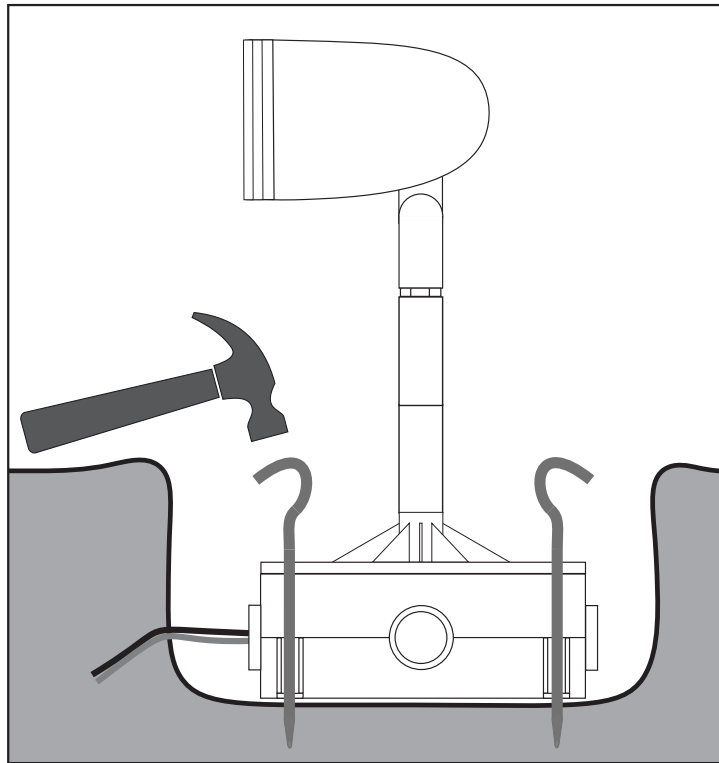
- The box may now be closed. A weatherproof gasket is attached to the cover, but for additional water intrusion protection, line the inside edge of the cover with silicone where it contacts the box, then assemble the box using the eight screws.

Tighten the screws tightly by hand with a #2 screwdriver.

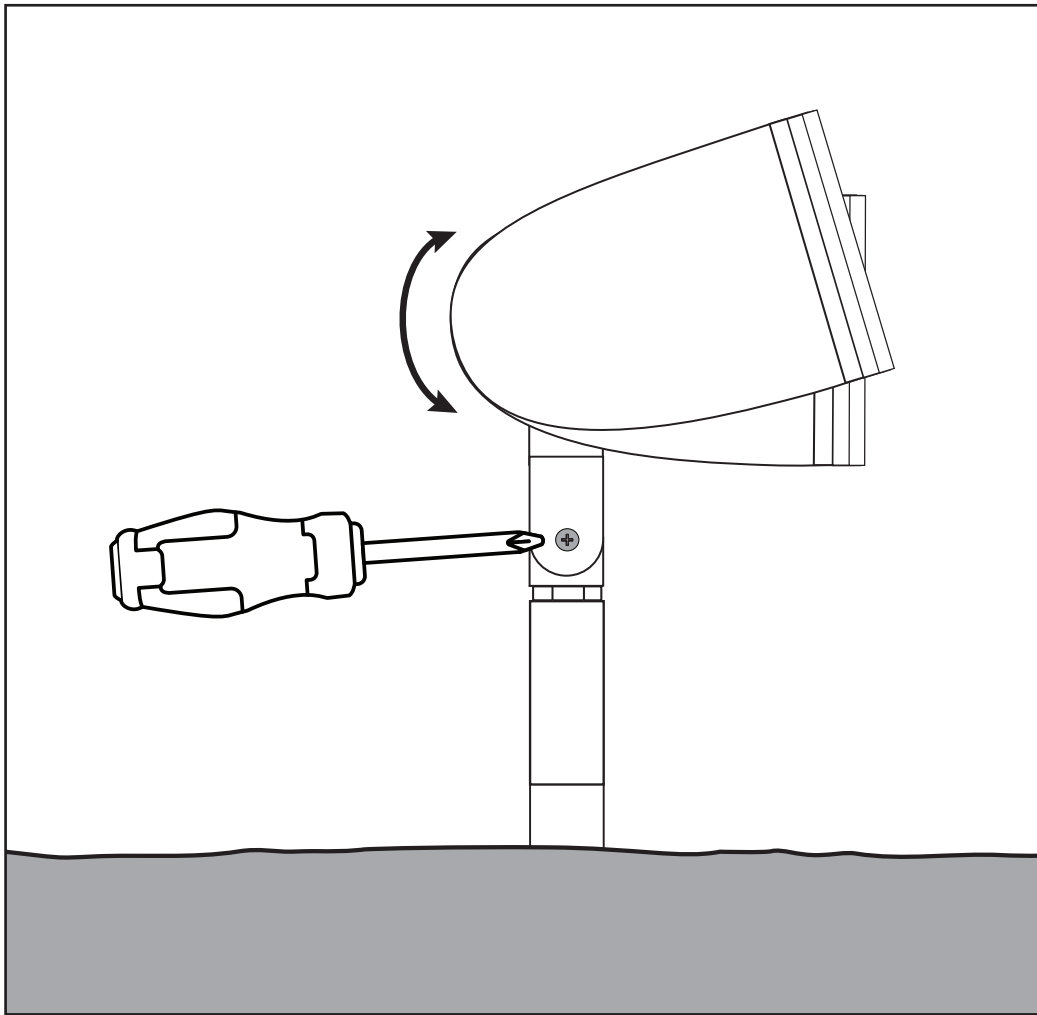




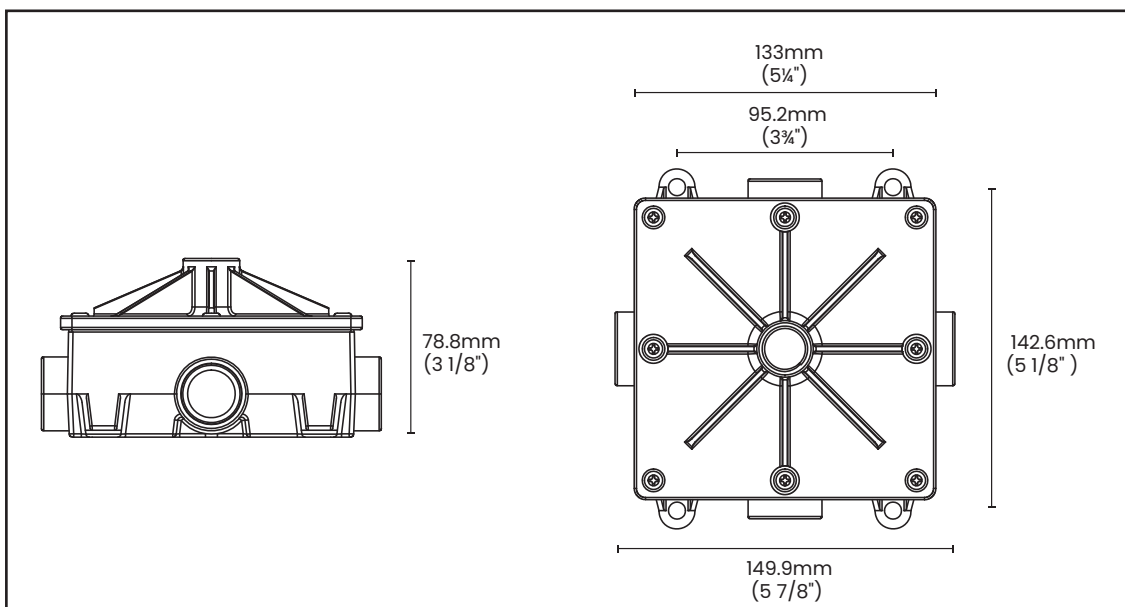
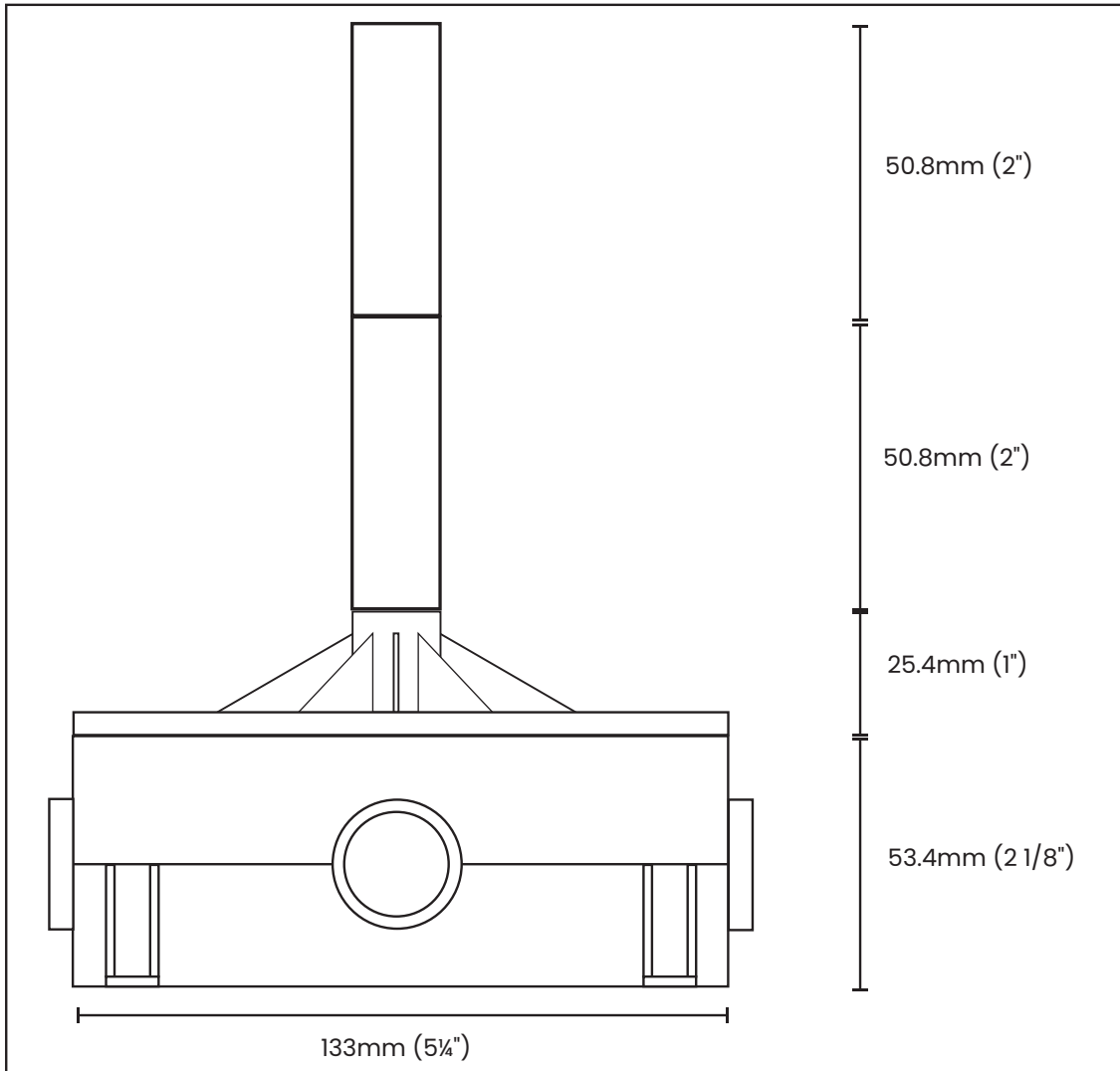
5. Stake the box down in the hole securely using the four stakes. Install all speakers and test the system before burying the box and wiring.



6. Adjust the speaker angle and position once all other steps are completed. Use a Phillips screwdriver to tighten the speaker once positioned correctly.



## Dimensions



## Technical Support

For chat and telephone, visit [ctrl4.co/techsupport](http://ctrl4.co/techsupport) • Email: [TechSupport@SnapOne.com](mailto:TechSupport@SnapOne.com)  
Visit [tech.control4.com/technician](http://tech.control4.com/technician) for discussions, instructional videos, news, and more.

## Warranty and Legal Notices

Find details of the product's Limited Warranty and other resources such as regulatory notices and patent and safety information, at [snapone.com/legal](http://snapone.com/legal) or request a paper copy from Customer Service at 866.424.4489.

Copyright ©2024, Snap One, LLC. All rights reserved. Snap One and its respective logos are [registered trademarks](#) or trademarks of Snap One, LLC, in the United States and/or other countries. 4Store, 4Sight, Control4, Control4 My Home, SnapAV, Araknis Networks, BakPak, Binary, Dragonfly, Episode, Luma, Mockupancy, Nearus, NEEQ, Optiview, OvrC, Pakedge, Sense, Strong, Strong Evolve, Strong VersaBox, SunBriteDS, SunBriteTV, Triad, Truvision, Visualint, WattBox, Wirepath, and Wirepath ONE are also registered trademarks or trademarks of Snap One, LLC. Other names and brands may be claimed as the property of their respective owners. Snap One makes no claim that the information contained herein covers all installation scenarios and contingencies, or product use risks. Information within this specification subject to change without notice.