

PAKEDGE

4 MP AUTOFOCUS

IP CAMERAS

Turret • Bullet



IP cameras

Pakedge 4 MP IP cameras provide exceptional, high-definition video viewable on Control4 touch screens, smartphones, and televisions. With Control4 integration, you can monitor your home at any time, from anywhere in the world. You'll have peace of mind knowing that your family and home are safe and secure with visible security cameras to deter criminal behavior and mischief.

- Superior image quality optimized for Control4 interfaces
- Better image quality at longer distances—mount cameras further from a door, gate, or street without sacrificing image quality
- Advanced motion detection for more accurate notifications
- Available in bullet, turret, and dome versions

Pakedge 4 MP IP cameras double the video resolution of our 2 MP cameras for more detailed images—making it easier to identify objects at longer distances, day or night. Available in varifocal lens versions (bullet and turret) with motorized zoom and autofocus to easily configure a perfectly clear image without the need for manual adjustments. Pakedge IP cameras are compatible with various ONVIF Profile S network NVRs, allowing for review of recorded footage. All Pakedge IP cameras simplify installation and integration with Control4.

Features

All Pakedge autofocus 4 MP IP cameras

- Full HD 4.0 MP @ 20 fps
- Varifocal lens with autofocus
- 100-foot (30-meter) infrared night vision
- IR cut filter for day/night operations
- 3-axis image adjustment
- PoE
- Electronic PTZ

Turret Camera

- IR reflection prevention for superior night viewing and wall-mount applications
- IP66 rain and dust resistant
- IK07 vandal impact resistant

Outdoor Bullet Camera

- Adjustable sun/rain shield
- IR reflection prevention for superior night viewing and wall-mount applications
- IP66 rain and dust resistant
- Compact design for flexible mounting

4 MP AUTOFOCUS CAMERA SELECTOR

CK-CAM-TU6542Z
Turret Camera



CK-CAM-BU8342Z
Bullet Camera



Features

3-axis easy adjustment	✓	✓
Eave mount*	✓	✓
Outdoor	✓	✓
Weather resistant (IP66)	✓	✓
Vandal resistant (rating)		✓ (IK10)
IR reflection prevention	✓	✓
Separate lens and IR window for improved image	✓	
Adjustable sun/rain shield		✓
Fits easily in tight mounting environments		✓

**Must mount in a location not directly exposed to the elements*

FEATURES AND SPECIFICATIONS IN COMMON

Camera

Resolution	4 MP (2688 × 1520) maximum, default 2560 × 1440, 1280 × 720 optimized for Control4 user interfaces
CMOS	8.5 mm (1/3")
Lens focal length	2.8 mm - 8 mm (0.11" - 0.32")
Frame rate	Up to 20 fps (@4 MP), up to 30 fps (@1080P)
Focus	Autofocus varifocal lens
FOV	97.3° (horizontal) × 49.2° (vertical)
Range	100 feet (30 m)
Illumination	IR LEDs, 0 lux Minimum without IR (color): 0.15 lux @ F2.0 Minimum without IR (monochrome): 0.05 lux @ F2.0
Firmware	Upgrade via web and IP Scan
Power	PoE or 12V power supply
Operating temperature	-40 to +50°C (-40 to 122°F)

Settings

Streaming	H.264 and Motion JPEG multi-profile video streaming 4 MP True H.264 AVC high-profile video compression
Simultaneous users	10
ePTZ	Yes
White balance	Auto, Tungsten, Indoor, Fluorescents1, Fluorescents2, Outdoor1, Outdoor2
Shutter speed	1/30s to 1/8,000s
Adjustable picture	Contrast, brightness, saturation, sharpness, image flip, image mirror, hue, corridor
IR cut filter	Color (day), Monochrome (night), Auto, Schedule
Video streaming	RTP/HTTP, RTP/TCP, RTP, UDP, multicast. Configurable frame rate and bandwidth.
Auto gain control	36 dB variable gain
3D noise reduction	Off, 1-32 (selectable)
2D WDR	Off, Auto, x2, x3, x4
OSD	Text over date, time, and camera name
Sense-Up Plus	Yes
ONVIF compatibility	Profile S / Lillin API (CGI)
IVS (intelligent video surveillance)	Yes (provides advanced motion detection, tripwire, and object counting)

Security

User accounts	10 accounts available, multiple access levels, password protected
Encryption	Base64 HTTP encryption
Motion detection	Yes
Email notification	Yes
Privacy masking	Off, On (4 independent zones)
Alarm events	Triggers: Motion, lost connection Actions: FTP, SMTP, HTTP post, SAMBA

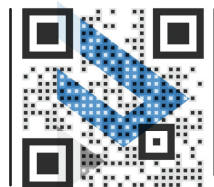
Network

Network interface	10Base-T, 100Base-TX, RJ-45
Protocols	HTTP, SDDP, DHCP, IPv4, IPv6, UDP, SMTP, NTP, DDNS, UPnP, FTP, ARP, PPPoE, DNS, RTSP, RTCP, Telnet, ICMP, IGMP, ONVIF profiles, SNMP, SIP, Bonjour

Available accessories

Mount	Bullet Camera Mounting Bracket (CK-CAM-BUMB)
-------	--

CAMERA DOCUMENTATION

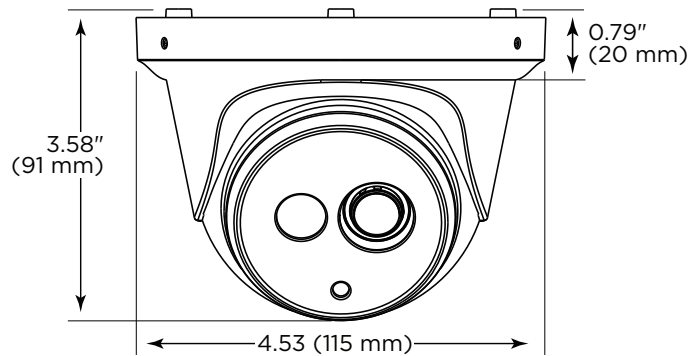


pkdgc.co/cameras



CK-CAM-TU6542Z Turret Camera

TURRET CAMERA	DESCRIPTION
Mount	Outdoor fixed turret, eave or wall
Dimensions	115 × 91 mm (4.53 × 3.58")
Weight	435 g (15.3 oz.)
Power consumption	12VDC 7.2W; PoE 8.6W
Illumination	IR LEDs, range 30 m (100 feet)
Weather resistant	IP66; must mount in a location not directly exposed to the elements
Vandal resistant	IK7 (protects against impact of 500 g at 40 cm)
IR LED angle	30°, 50°
IR reflection prevention	Yes; separate lens and IR window for improved image
SD Card	No
FOV	80.7° (horizontal) × 43.9° (vertical)



CK-CAM-BU8342Z Bullet Camera

<u>BULLET CAMERA</u>	<u>DESCRIPTION</u>
Mount	Indoor/outdoor bullet, ceiling/eave/wall
Dimensions	68 × 69 × 214 mm (2.68 × 2.72 × 8.4")
Weight	515 g (18.2 oz.)
Power consumption	12VDC 7.5W; PoE 8.3W
Illumination	IR LEDs, range 30 m (100 feet)
Glass	Heat resistant
Weather resistant	IP66; must mount in a location not directly exposed to the elements Adjustable sun/rain shield
Vandal resistant	IK10 (protects against impact of 5 kg at 40 cm)
IR LED angle	60°
IR reflection prevention	Yes
SD Card	Yes (up to 128 GB)
FOV	84° (horizontal) × 44° (vertical)

