

SR-CUSTOM Series Floor Standing AV Rack System



Package Contents

- A. 1x Top plate
- B. 4x Rack pillars
- C. 4x Side bars
- D. 1x Base assembly
 - 4x Casters
 - 4x Leveling feet
- E. Assembly hardware (not shown)
 - 40x Rack assembly screws
 - 16x Side bar screws
- F. 3mm Hex driver bit

Key Features

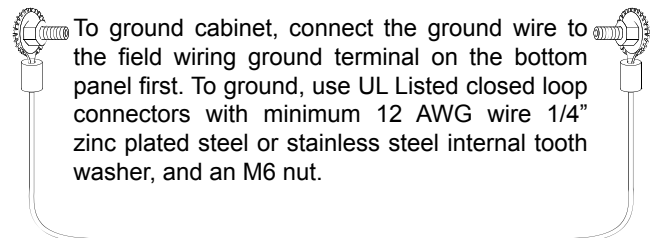
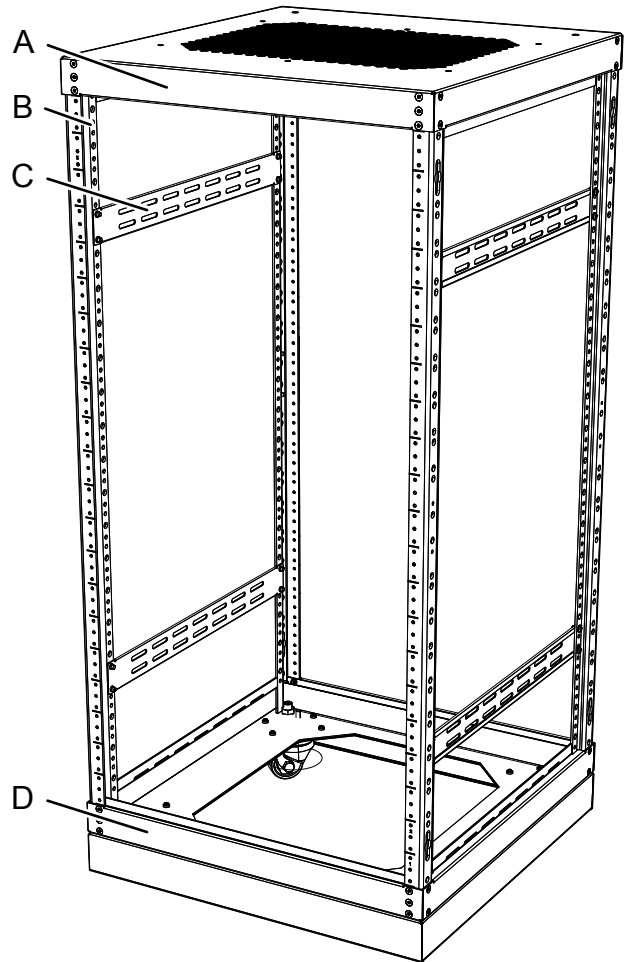
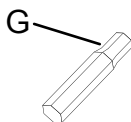
- Easy assembly
- Counter-sunk assembly screws for clean appearance
- Locking pillars for extra stability and rigidity
- Concealed caster wheels
- Adjustable leveling feet
- Built in top ventilation mounting
- 1000 lb. maximum load
- Optional locking doors and side panels

Optional Accessories (sold separately)

- Side Panels (SR-CUST-SP-XXU-XXIN)
- Window Door (SR-CUST-DOOR-XXU-GLS)
- Solid Door (SR-CUST-DOOR-XXU-SLD)
- Integrated Cooling (SR-FANBRACKET-2/4)

Assembly Recommendations

- The included hex driver should only be used with torque-adjustable drills.
- It is recommended to hand tighten the assembly screws to final torque to avoid snapping screws.

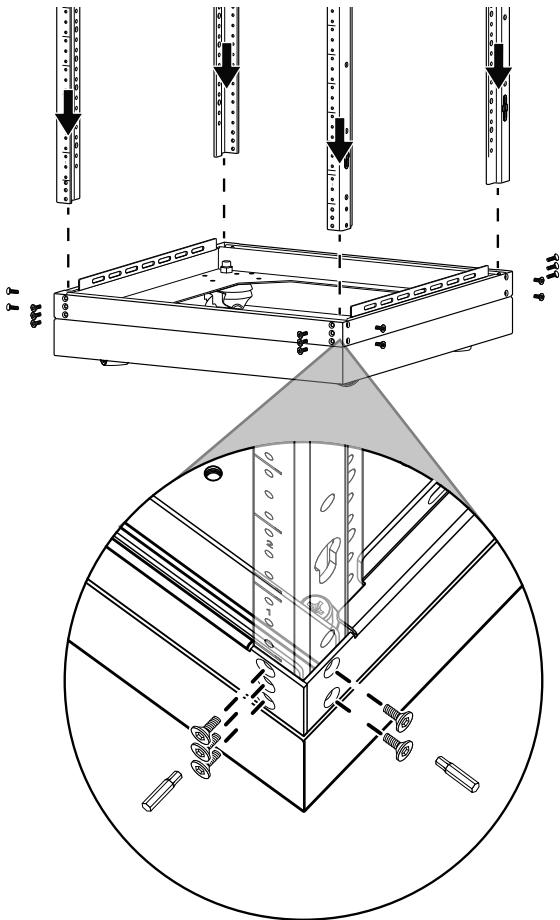


CAUTION!

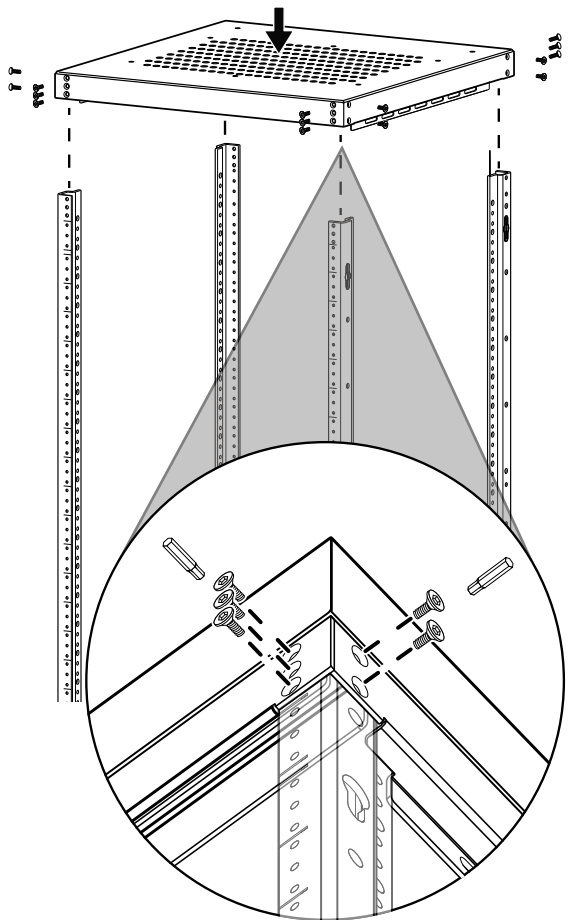
When loading equipment into cabinet, ensure that leveling feet are adjusted correctly and they come in contact with the supporting surface. Always load heavier equipment at the bottom of the rack with a minimum of 200 lbs into lower U spaces.

Equipment cabinets are intended to house or mount certified equipment that is provided with its own fire and electrical enclosure.

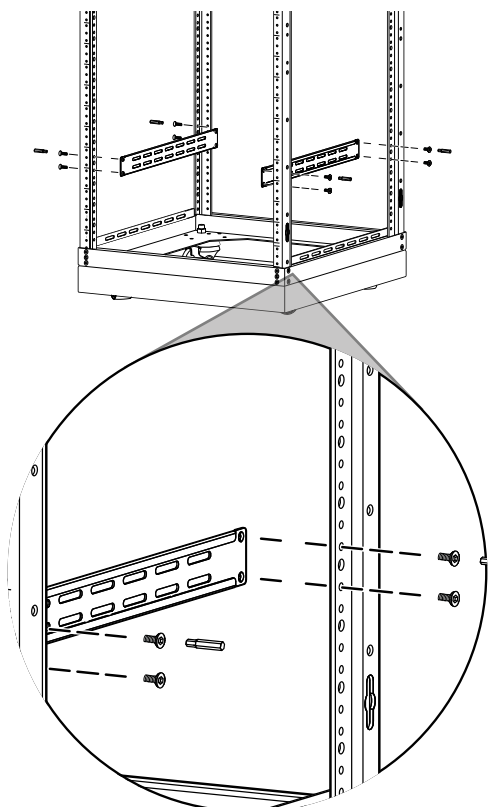
1 Attach the pillars to the base.



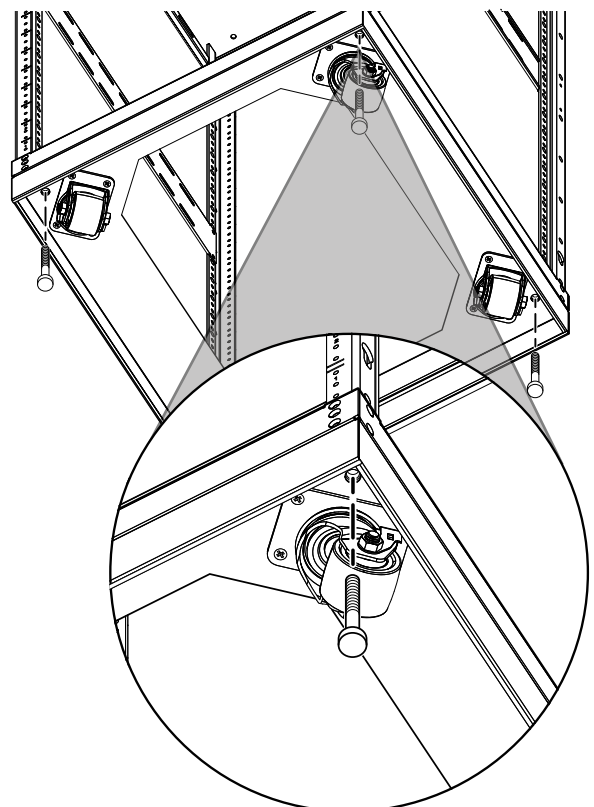
2 Attach the top to the pillars.



3 Attach the side bars.



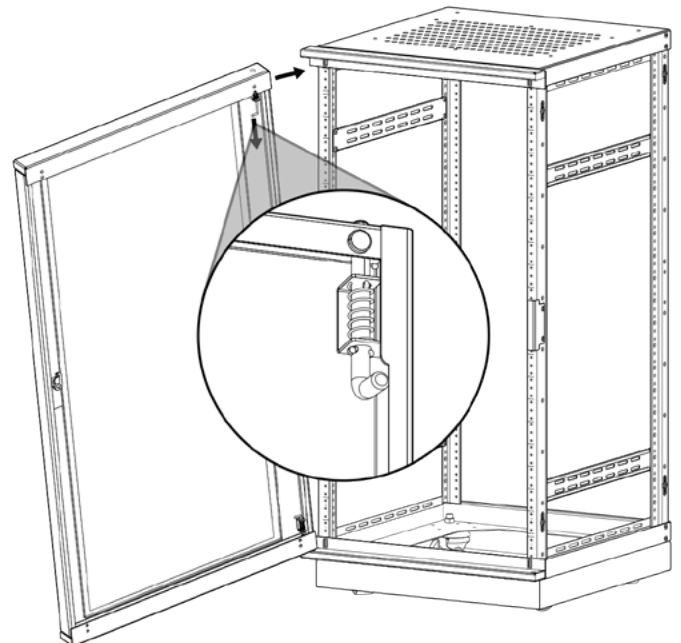
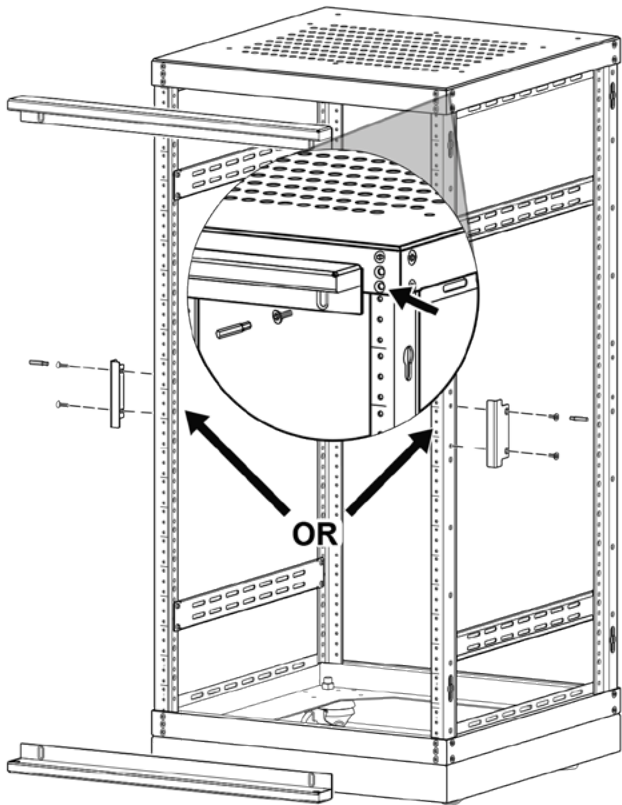
4 Optional: Adjust the leveling feet.



Note: The side bars are not required for structural support and can be mounted at any height. (Two of four included bars are pictured.)

Note: Lowering the leveling feet restricts the steering rotation of the casters. If the feet are being used, position the rack before installing equipment.

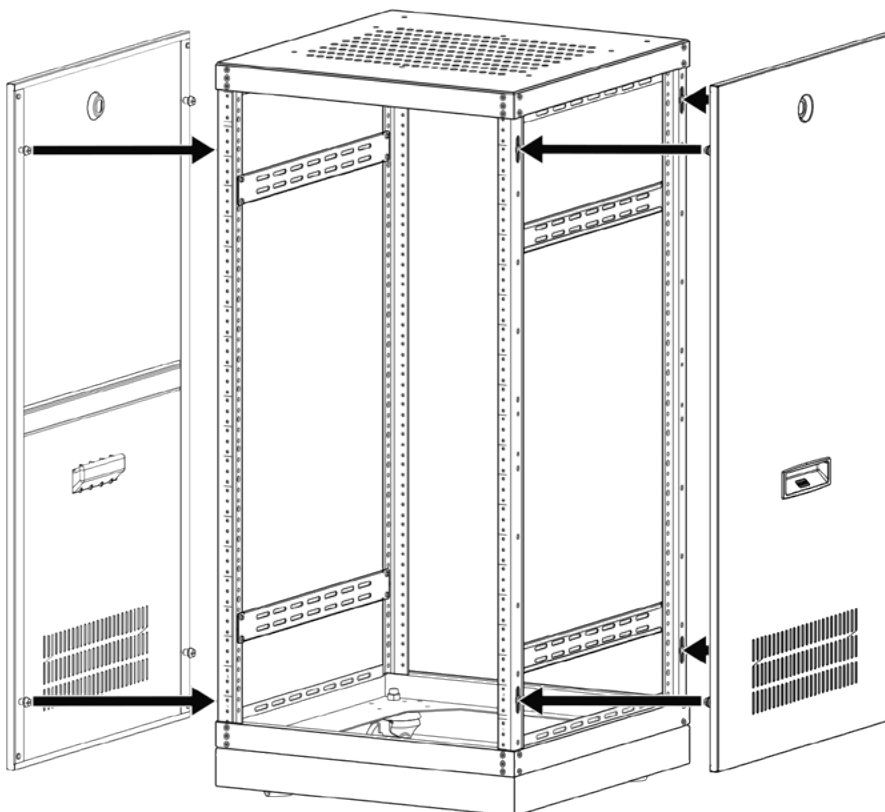
5 Optional: Install front and rear doors



Note: The door may be installed for left- or right-hand swing. The hinge brackets are held on by 1 screw in each corner. The brackets are also slotted so that they can be adjusted for optimal door fit.

Note: Before installing the door, position the hinge bushings in the holes on the top and bottom brackets on the side that swings.

6 Optional: Install the side panels.



Dimensions

Model #	Racking Height	Height	Height (w/ Casters)	Width No Side Panels	Width Inc. Side Panels	Usable Depth
SR-CUSTOM-21U-20IN	36.75" (93.3cm)	40.25" (102.2cm)	43.25" (109.8cm)	19.77" (50.2cm)	21.02" (53.4cm)	20" (50.8cm)
SR-CUSTOM-21U-24IN	36.75" (93.3cm)	40.25" (102.2cm)	43.25" (109.8cm)	19.77" (50.2cm)	21.02" (53.4cm)	24" (61cm)
SR-CUSTOM-21U-30IN	36.75" (93.3cm)	40.25" (102.2cm)	43.25" (109.8cm)	19.77" (50.2cm)	21.04" (53.4cm)	30" (61cm)
SR-CUSTOM-27U-20IN	47.25" (120cm)	50.75" (128.9cm)	53.75" (136.5cm)	19.77" (50.2cm)	21.02" (53.4cm)	20" (50.8cm)
SR-CUSTOM-27U-24IN	47.25" (120cm)	50.75" (128.9cm)	53.75" (136.5cm)	19.77" (50.2cm)	21.02" (53.4cm)	24" (61cm)
SR-CUSTOM-27U-30IN	47.25" (120cm)	50.75" (128.9cm)	53.75" (136.5cm)	19.77" (50.2cm)	21.04" (53.4cm)	30" (76.2cm)
SR-CUSTOM-32U-20IN	56" (142.2cm)	59.5" (151.1cm)	62.5" (158.8cm)	19.77" (50.2cm)	21.02" (53.4cm)	20" (50.8cm)
SR-CUSTOM-32U-24IN	56" (142.2cm)	59.5" (151.1cm)	62.5" (158.8cm)	19.77" (50.2cm)	21.02" (53.4cm)	24" (61cm)
SR-CUSTOM-32U-30IN	56" (142.2cm)	59.5" (151.1cm)	62.5" (158.8cm)	19.77" (50.2cm)	21.04" (53.4cm)	30" (76.2cm)
SR-CUSTOM-37U-20IN	64.75" (164.5cm)	68.25" (173.4cm)	71.25" (181cm)	19.77" (50.2cm)	21.02" (53.4cm)	20" (50.8cm)
SR-CUSTOM-37U-24IN	64.75" (164.5cm)	68.25" (173.4cm)	71.25" (181cm)	19.77" (50.2cm)	21.02" (53.4cm)	24" (61cm)
SR-CUSTOM-37U-30IN	64.75" (164.5cm)	68.25" (173.4cm)	71.25" (181cm)	19.77" (50.2cm)	21.04" (53.4cm)	30" (76.2cm)
SR-CUSTOM-42U-20IN	73.5" (186.7cm)	76.9" (195.3cm)	79.9" (203cm)	19.77" (50.2cm)	21.02" (53.4cm)	20" (50.8cm)
SR-CUSTOM-42U-24IN	73.5" (186.7cm)	76.9" (195.3cm)	79.9" (203cm)	19.77" (50.2cm)	21.02" (53.4cm)	24" (61cm)
SR-CUSTOM-42U-30IN	73.5" (186.7cm)	76.9" (195.3cm)	79.9" (203cm)	19.77" (50.2cm)	21.04" (53.4cm)	30" (76.2cm)

Lifetime Limited Warranty

Find details of this product's Lifetime Limited Warranty at snapav.com/warranty, or request a paper copy from Customer Service at (866) 424-4489. Find other legal resources, such as regulatory notices and patent information, at snapav.com/legal.



Copyright ©2023, Snap One, LLC. All rights reserved. Snap One and its respective logos are registered trademarks or trademarks of Snap One, LLC, in the United States and/or other countries. SnapAV, Strong, and Wirepath are also registered trademarks or trademarks of Snap One, LLC. Other names and brands may be claimed as the property of their respective owners. Snap One makes no claim that the information contained herein covers all installation scenarios and contingencies, or product use risks. Information within this specification subject to change without notice.

200-SR-CUSTOM-XXU-001-B 230308-1600