



CONTRACTOR RACKS SERIES



DESCRIPTION:

Strong™ Contractor Series Racks are versatile enough to fit almost any application, and they have room for all kinds of AV equipment. Included side panels complete the solid design, and preinstalled casters provide maximum mobility.

BUILT “STRONG”

Made from rugged 14-gauge steel, these racks are strong enough to support any and all equipment that goes on them.

ROLLS WHERE YOU NEED IT

Equipped with fine floor casters that make them easy to move, these beefy racks will always be exactly where they're needed.



COMPLETELY CUSTOMIZABLE

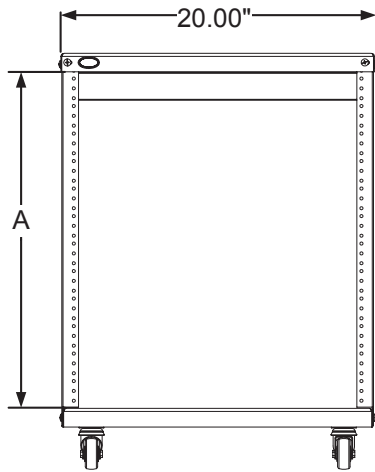
Compatible with our line of Strong™ Accessories, including shelves, drawers, panels, and more, so each rack can be customized to meet a wide variety of application needs.

WARRANTY:

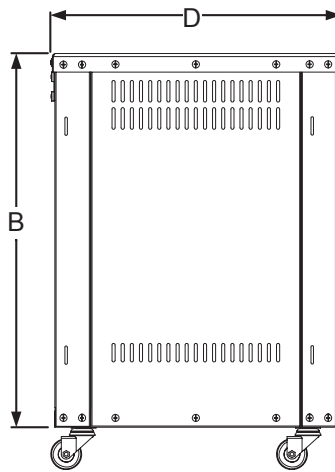
Strong™ Racks and Rack Accessories have a Lifetime Limited Warranty. This warranty includes parts and labor repairs on all components found to be defective in material or workmanship under normal conditions of use. This warranty shall not apply to products which have been abused, modified or disassembled. Products to be repaired under this warranty must be returned to SnapAV or a designated service center with prior notification and an assigned return authorization number (RA).



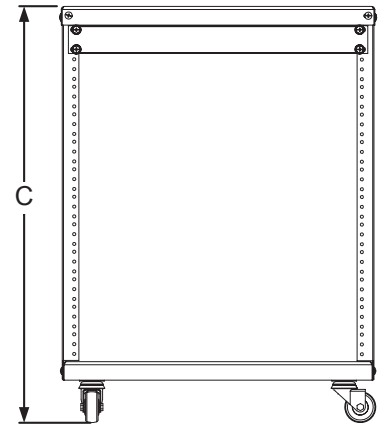
CONTRACTOR RACKS SERIES



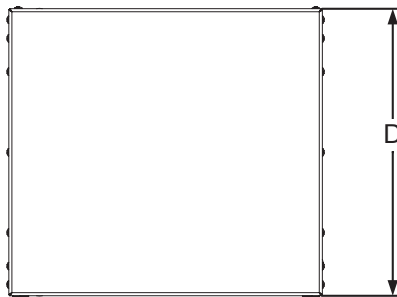
Front View



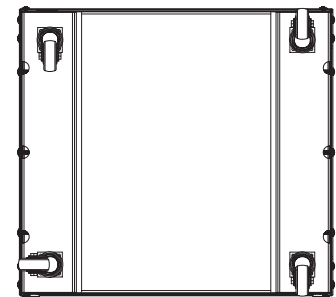
Side View



Rear View



Top View



Bottom View

Model #	A - Racking Height	B - Overall Height	C - Height (w/Casters)	D - Overall Depth	Usable Depth
SR-CS-RACK-12U	21" (53.3cm)	23.8" (60.5cm)	27.8" (70.6cm)	18.2" (46.2cm)	17.6" (44.7cm)
SR-CS-RACK-16U	28" (71.1cm)	30.9" (78.5cm)	34.8" (88.4cm)	18.2" (46.2cm)	17.6" (44.7cm)
SR-CS-RACK-21U	37" (94cm)	39.6" (100.6cm)	43.5" (110.5cm)	18.2" (46.2cm)	17.6" (44.7cm)

SPECIFICATIONS:



- 600 lb. max load capacity.
- Rack Tops and Bottoms: 14-gauge single sheet steel.
- Top and Bottom panels treated with powder-coated finish.
- UL Certified.
- Lifetime Warranty on all Racks and Accessories.