



SM-PROJ-M

Universal Projector Mount



Installation Manual

Warnings

- This ceiling mount is intended for use only with the maximum weight of 30 lbs. Use with heavier than the maximum weights indicated may result in instability and cause possible injury.
- We highly recommend this product be installed by a qualified professional.
- Do not begin installation until you have thoroughly read and understand these instructions.
- Safety gear and proper tools must be used. Failure to do so can result in property damage and/or serious injury.
- Verify that the ceiling will safely support four times the combined weight of the mount and projector before installation or reinforce the structure to be capable of supporting this weight.
- Under no circumstances should this product be mounted to metal studs.
- Consult the display owner's manual and follow all instructions and recommendations regarding adequate ventilation and suitable locations for mounting the display.
- The manufacturer does not accept responsibility for incorrect installation.



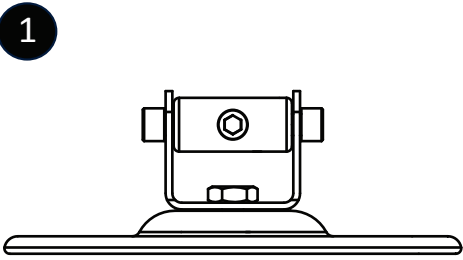
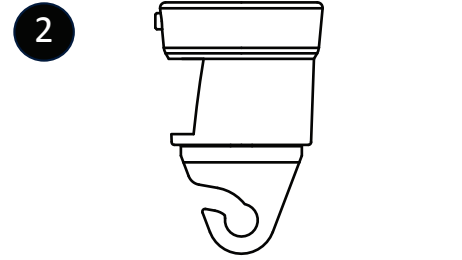
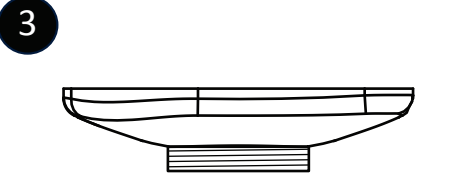
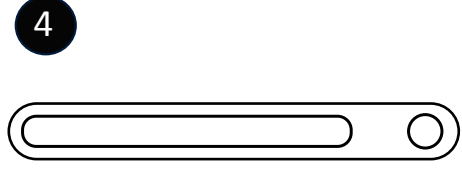
Caution: Do not exceed the maximum weight of 33 lbs (15 kg).

Specifications

- Maximum load: 33 lbs (15 kg)
- VESA pattern: 75×75, 100×100, 200×100
- Tilt range: ±13.8°
- Pan/swivel range: 180°
- Horizontal rotation: 360°
- Extension/profile: 3.7–9.4 in (9.5–24 cm)

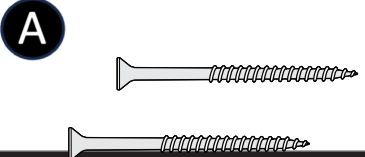
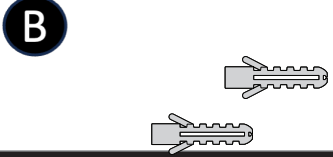
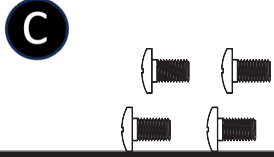
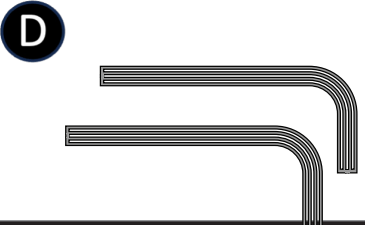
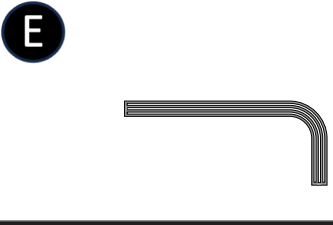


Box contents

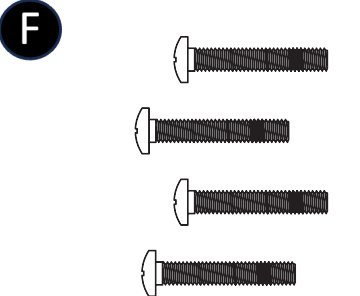
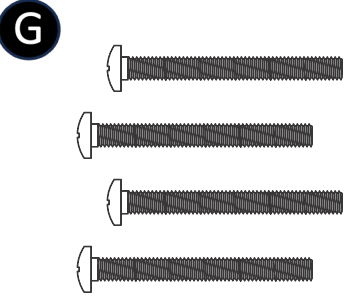
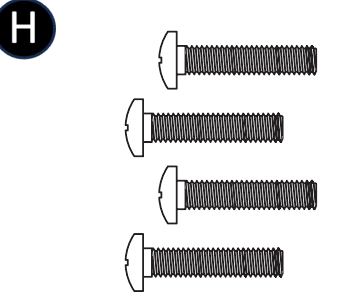
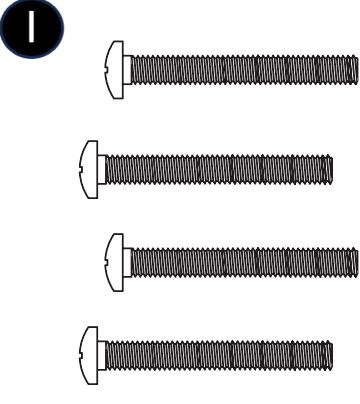
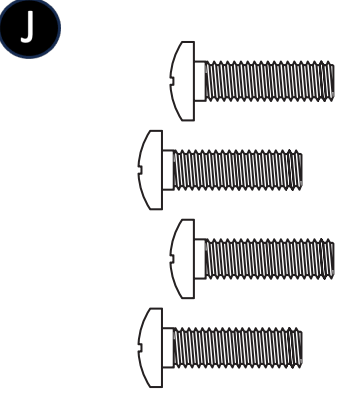
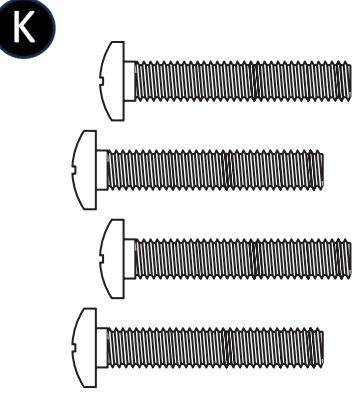


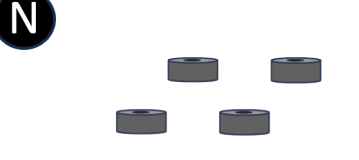
 <p>1</p>	 <p>2</p>
Mount base	Mount body
 <p>3</p>	 <p>4</p>
Ceiling plate	Mount arm

Hardware kit

Bag 1

 <p>A</p>	 <p>B</p>	 <p>C</p>
Wood screw ×2	Concrete anchor ×2	Arm screw ×4
 <p>D</p>	 <p>E</p>	
S4 Hex wrench ×2	S3 Hex wrench	

Bag 2

 <p>Four screws of size M4x16, each with a Phillips head and a threaded length of 16mm.</p>	 <p>Four screws of size M4x30, each with a Phillips head and a threaded length of 30mm.</p>	 <p>Four screws of size M5x16, each with a Phillips head and a threaded length of 16mm.</p>
<p>M4x16 Screw x4</p>	<p>M4x30 Screw x4</p>	<p>M5x16 Screw x4</p>
 <p>Four screws of size M5x30, each with a Phillips head and a threaded length of 30mm.</p>	 <p>Four screws of size M6x16, each with a Phillips head and a threaded length of 16mm.</p>	 <p>Four screws of size M6x30, each with a Phillips head and a threaded length of 30mm.</p>
<p>M5x30 Screw x4</p>	<p>M6x16 Screw x4</p>	<p>M6x30 Screw x4</p>
 <p>Four flat washers of size M5.</p>	 <p>Four flat washers of size M4.</p>	 <p>Four cylindrical spacers of size 6mm.</p>
<p>M5 Washer x4</p>	<p>M4 washer x4</p>	<p>6 mm Spacer x4</p>

Required tools

- Ladder or scaffolding
- Phillips screwdriver
- Stud finder (drywall installation)
- Power drill
- 3/16 in (5mm) Drill bit (drywall installation)
- 5/16 in (8mm) Masonry bit (concrete installation)
- Hammer (concrete installation)

Installation

Mounting height and location

Plan carefully when installing a ceiling-mounted projector. Each installation is unique and requires different projector height and distance depending on the equipment being used and the specifics of the environment. Consult the documentation included with the screen and projector being installed to determine the exact parameters for the situation.

Identify possible obstructions that may interfere with the projector installation, including concealed plumbing, ductwork, electrical wiring, conduit, etc. Avoid any exposed obstructions that may interfere with the projector's image including sprinkler heads, smoke detectors, or light fixtures.

Ceiling mount options

The SM-PROJ-M projector mounting plate and all Strong mounting accessories use 1.5 in NPT threads for attachment of mount parts and accessories. The mount body is female-threaded to screw onto the male-threaded ceiling plate.

Strong accessories include ceiling hangers that allow mounting to non-standard ceiling surfaces and materials, extension poles of fixed or adjustable length, and adapters for attaching these accessories to any Strong ceiling mount.

For complete information on using the correct extensions and adapters for this mount, please see the [Strong Projector Mounts Accessory Chart](#), available on the Support tab on the product page for the SM-PROJ-M at www.snapav.com.

Install the mounting plate or accessory

Pro Tip: If an alternative mounting accessory is being used to hang the mount from the ceiling, refer to the installation manual for that part being used. If the included-ceiling plate is being used, continue with the directions below.

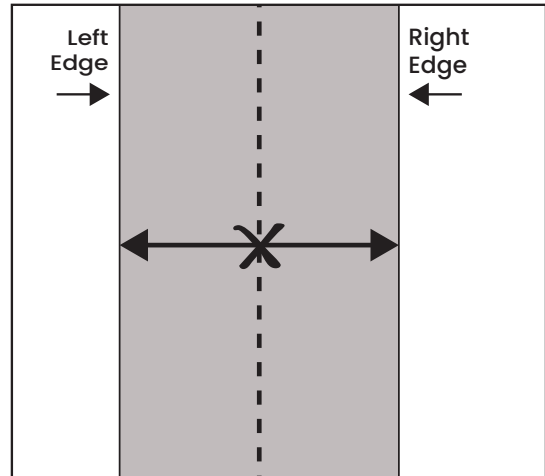
Warnings

- Do not over-tighten any fasteners used to mount to the ceiling plate. Over-tightening could cause damage to the fasteners, reducing their rated holding strength and increasing the possibility of failure.
- Damage to the mount or projector due to improper installation or fasteners is not covered under warranty.

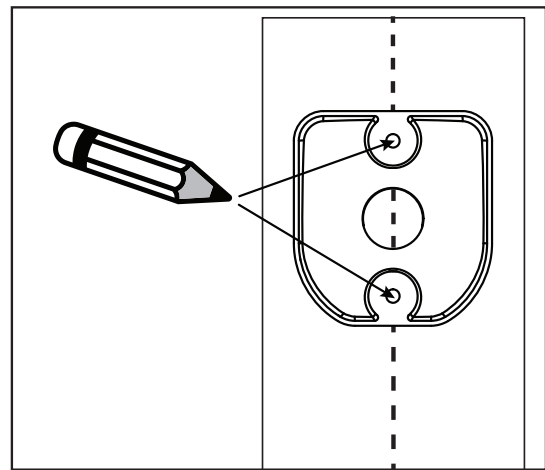


Install the ceiling plate (wood ceiling joist)

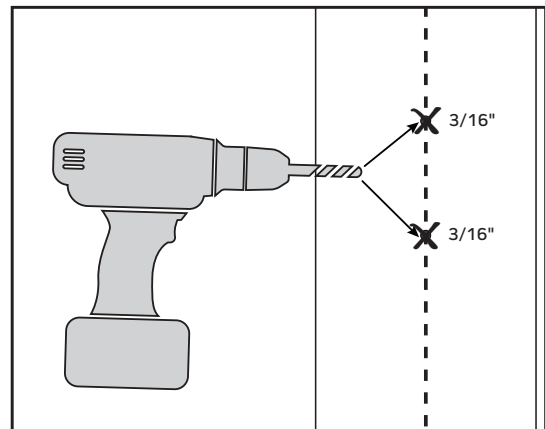
1. Locate the ceiling plate (3) and wood screws (A).
2. Use a stud finder to locate a single ceiling joist at the desired mounting location.
3. Mark both edges of the joist to help identify the exact center.



4. Place the ceiling plate in the desired location and mark the two mounting holes and the location of the plate.

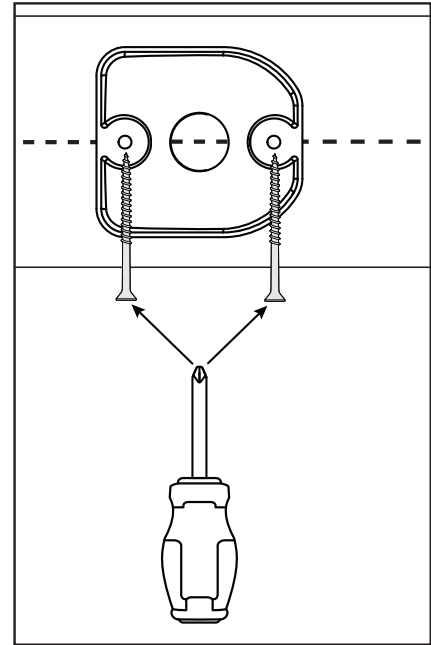


5. Drill a 3/16 in (5 mm) pilot hole at each marked location. Drill to a depth of at least 2 in (51 mm).



Pro Tip: It may be necessary to add extra wood bracing above the ceiling to allow for both screws to be securely fastened to the ceiling frame structure.

- Using a Phillips screwdriver, insert the screws through the plate mounting slots and tighten them until the plate is securely attached and will not move freely. Hold the plate in place over the alignment marks while tightening the screws.



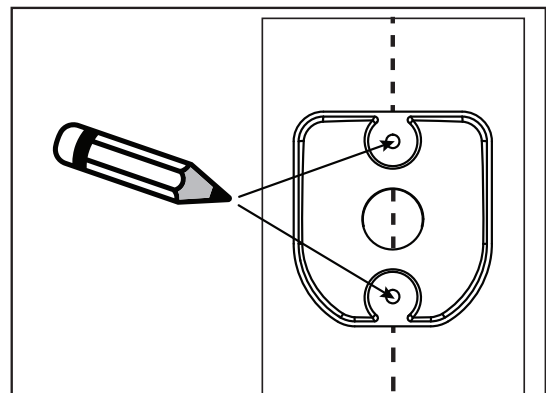
Install the ceiling plate (concrete)

Warning

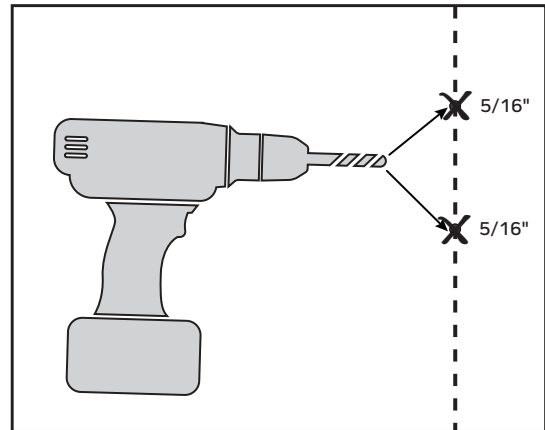
For concrete or cinder block mounting:

- Cinder block must meet ASTM C-90 specifications.
- Concrete must be 2000 psi density minimum. Lighter density concrete may not hold a concrete anchor. Verify that there is a minimum of 1 3/8 in of concrete thickness for use with the included concrete wall anchors.
- Do not drill into mortar joints. Be sure to mount in a solid part of the block, generally 1 in minimum from the side of the block.
- Use a standard electric drill set to slow speed to drill the hole. Do not use a hammer drill.
- Verify that the ceiling will safely support four times the combined weight of the mount and projector before installation or reinforce the structure to be capable of supporting this weight.

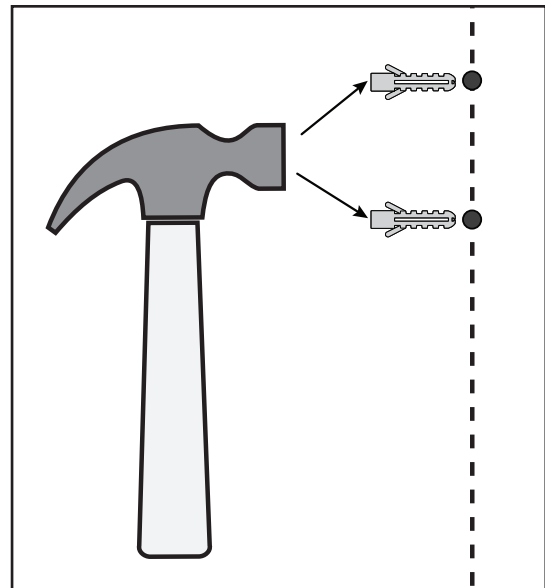
1. Locate the ceiling plate (3), wood screws (A), and concrete anchors (B).
2. Place the ceiling plate in the desired location and mark the two mounting holes and the location of the plate.



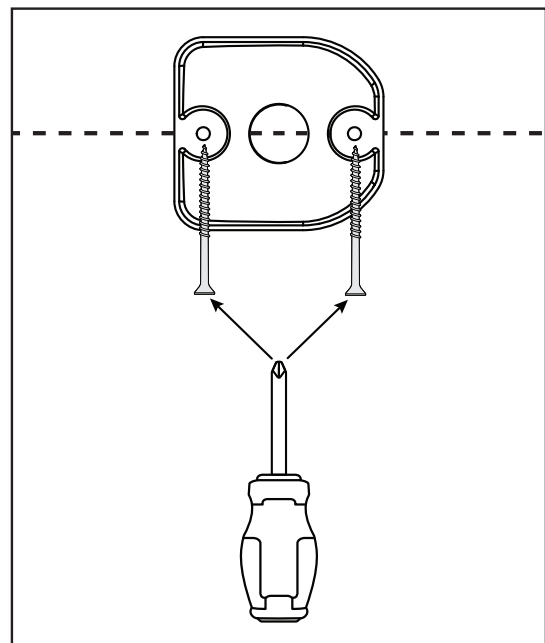
3. Drill a 5/16 in (8 mm) pilot hole at each marked location. Drill to a depth of at least 2 in (51 mm).



4. Insert a concrete anchor (B) into each hole so that it is flush with the concrete surface. Use a hammer to lightly tap the anchors into place, if necessary



5. Using a Phillips screwdriver, insert the screws through the plate mounting slots and into the concrete anchors. Tighten the screws until the plate is securely attached and will not move freely. Hold the plate in place over the alignment screws.

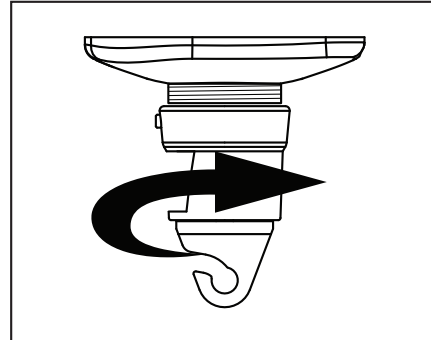
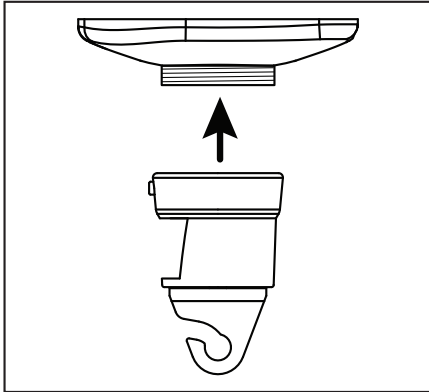


Attach the projector mount body and optional extension accessories

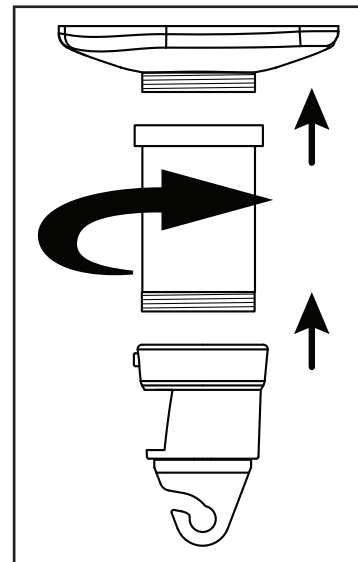
Once the ceiling plate or accessory is attached to the ceiling, secure the projector mount or accessory prior to installing the mount body.

Pro Tip: Refer to the extension or adaptor documentation to perform any pre-assembly necessary before beginning this step.

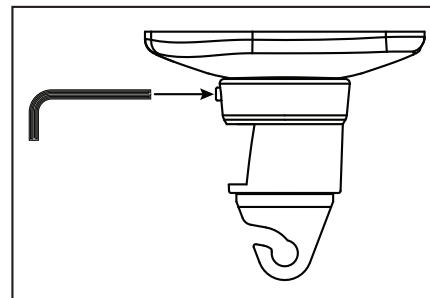
1. For mounting the projector directly (not using an extension pole), thread the projector mount body (2) into the ceiling plate (3) by hand as tightly as possible while maintaining the projector's orientation toward the screen. Skip to **Step 3**.



2. If an extension pole is being utilized, thread the extension and any adapters together, then thread the top of the extension into the ceiling plate/adaptor by hand as tightly as possible while maintaining the projector's orientation toward the screen. Tighten any set screws for the accessories at this time. See extension or adapter documentation for specific instructions.



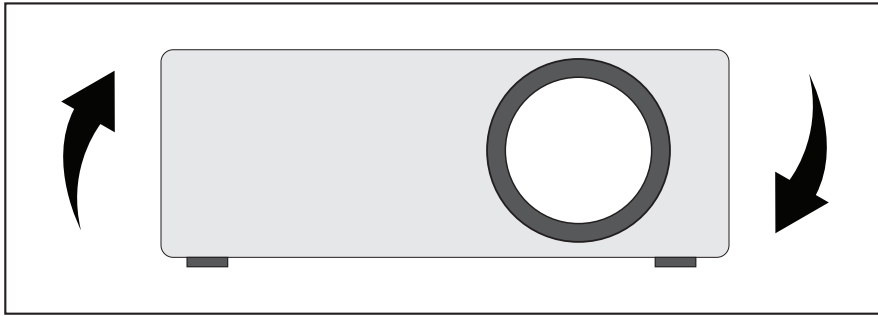
3. After the mount body is aimed at the screen, use the S3 hex wrench (E) to tighten the set screws on the mount body. Minor alignment changes can be made after installation is complete.



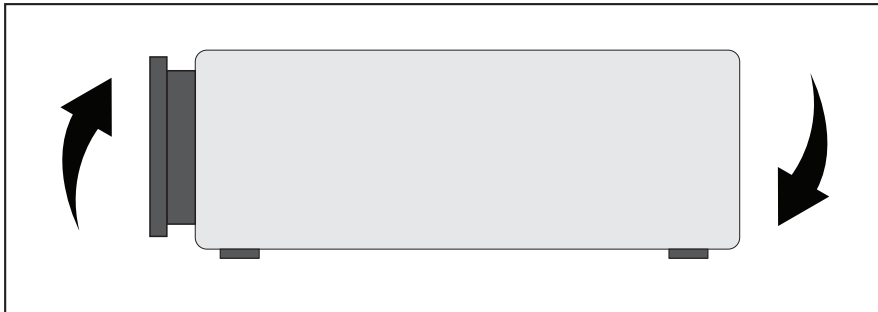
Find the center of balance

In order for the projector to hang evenly from the mount once it is installed, the mounting base must be attached and secured to the projector so that the center of gravity of the projector is centered in relation to the center of the mounting base. Usually, the center of gravity will not be at the center of the unit, but slightly closer to the side that the lens is on.

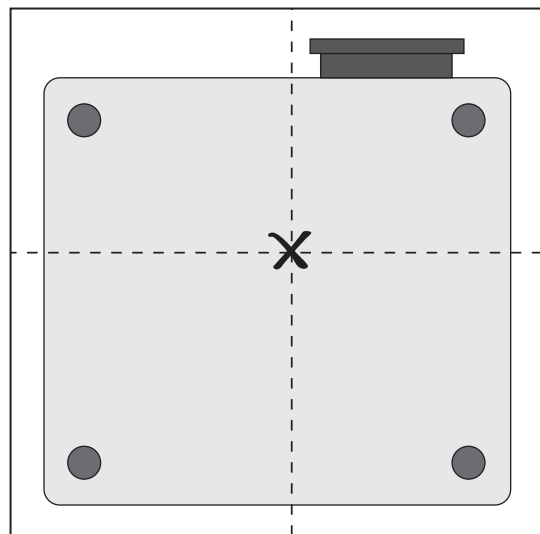
1. To balance the projector to the mount, begin by picking up the projector on opposite sides and trying to balance it between both hands. Adjust the hand position until the projector nearly balances. Once the balance is found, make a temporary mark to indicate the balance point.



2. Repeat **Step 1** for the opposite axis.



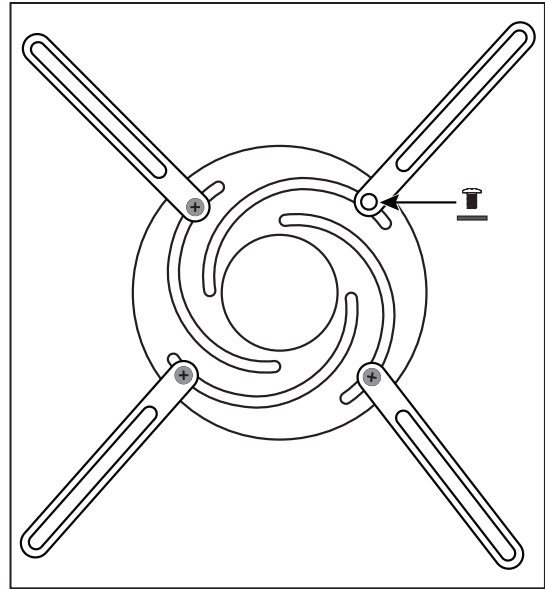
3. The intersection of the lines is the approximate center of balance. Make a temporary mark for use in the next step.



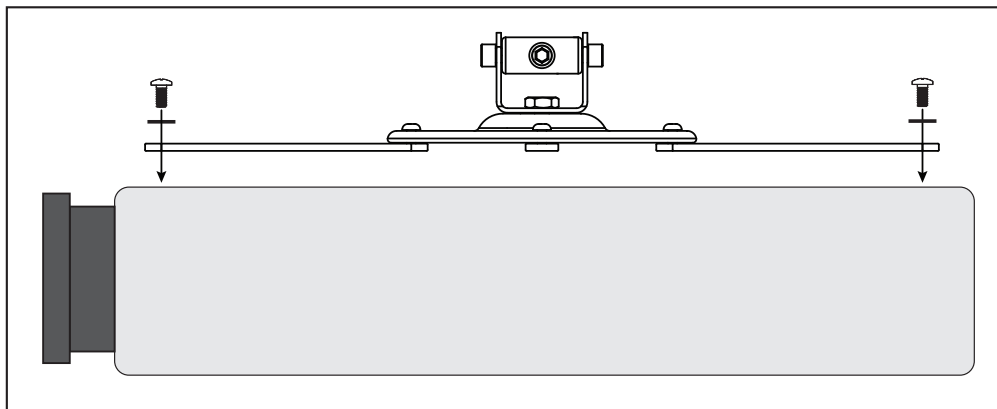
Attach the mount base and arms to the projector

After the center of balance is found, attach the mount base to the projector. Attachment methods will vary for every projector, so a variety of hardware is included to provide compatibility with most brands.

1. Loosely assemble the projector mount base (1) and mount arms (4), using the arm screws (C) and M5 washers (L). Attach the arms to the base so that one arm is attached to each of the four slots.

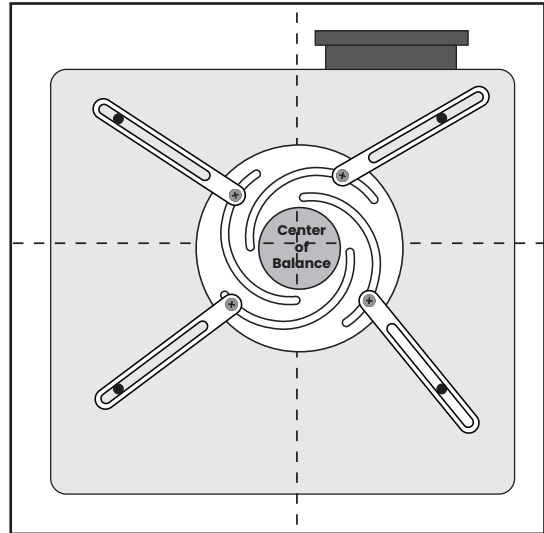


2. Identify the screw thread pitch needed to attach the projector to the arms. Screws (F, G, H, I, J, K) are included for this purpose. Gently try to thread one screw at a time into a projector mounting hole until the correct thread pattern is found. If none of the included screws fit, consult with the projector manufacturer to determine the correct thread pitch and length.

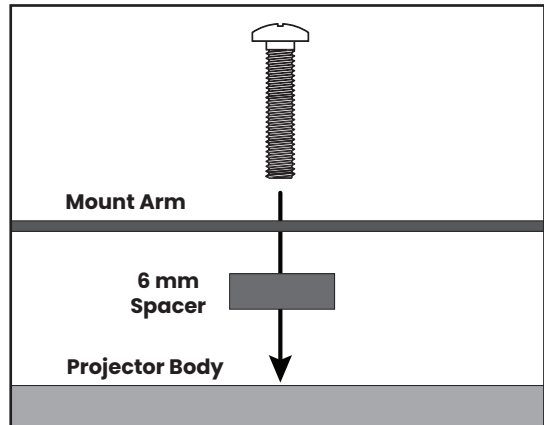


Pro Tip: If screws (F) or (G) are used for attaching the arms to the projector, use one M4 washer (M) between the screw and the mounting arm when attaching the arm.

3. Place the mount base assembly over the center of gravity mark. Position one arm over each of the mounting holes on the projector mount body. Pivot the arms in the slots as needed to maintain balance in relation to the arms.



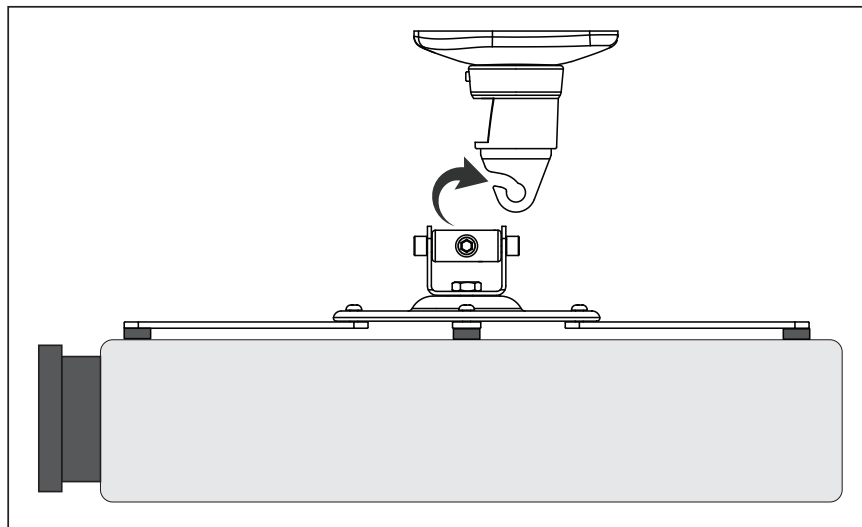
4. If the arms cannot attach to the projector due to spacing issues, use spacers (P) between the projector and the mount arms.



Hang the projector

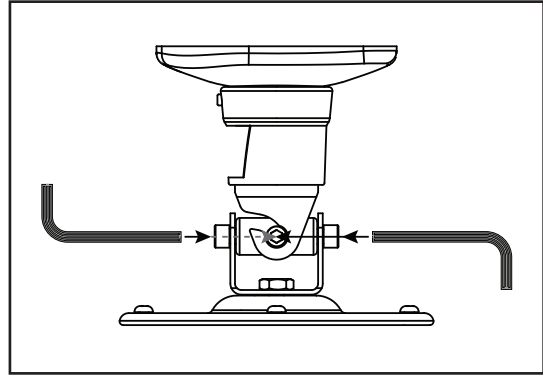
After the projector has been attached to the mount base, attach it to the projector mount body.

1. Carefully hook the mount base with the projector attached to the mount body.



Pro Tip: Two hex wrenches are provided for this step to allow for easier tightening.

2. Tighten the hex screws on all four sides of the mount base with the two S4 hex wrenches (D) to prevent the projector from being knocked off of the mount body.



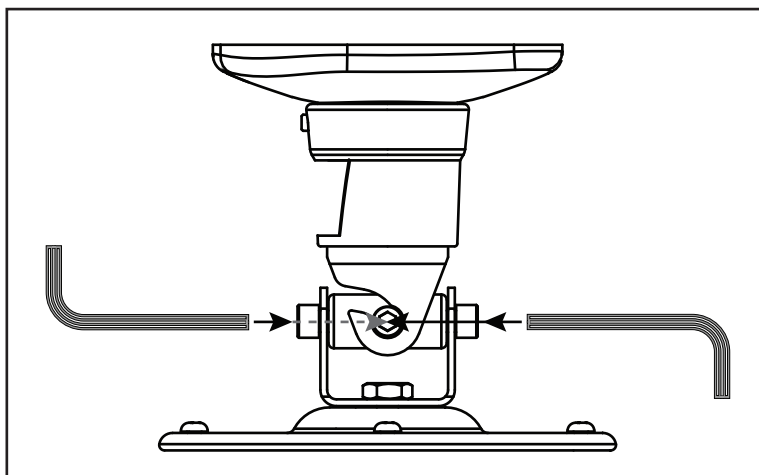
Adjust the projector

Warning

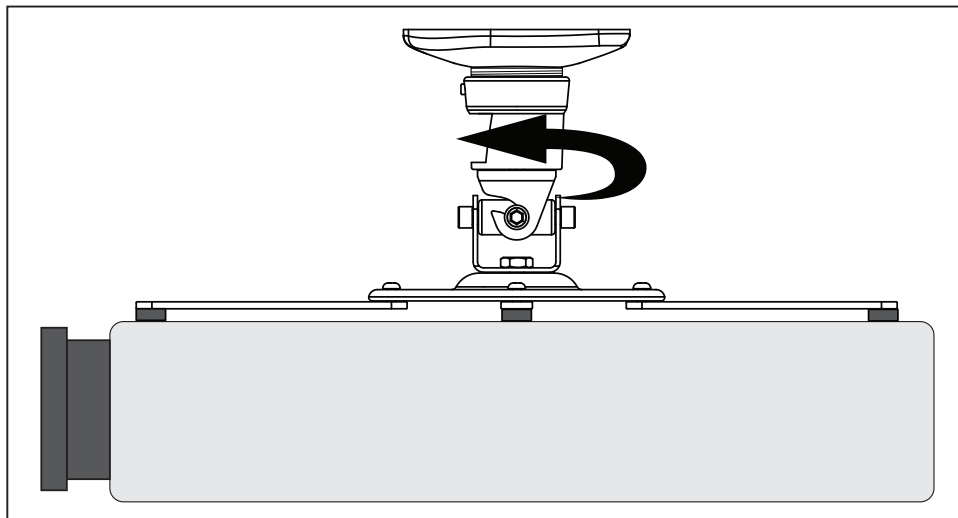
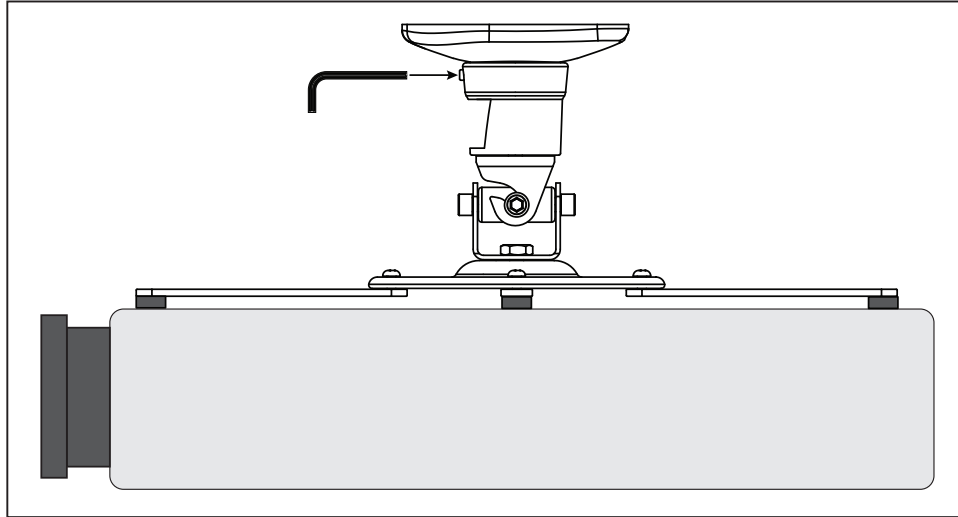
When adjusting the projector's direction, turn the mount only enough to reach the desired position. Do not continually turn the projector or mount in a counterclockwise direction. Turning the mount too much can cause the mount to detach and may cause damage and/or injury.

Once the mount and projector are fully assembled and installed, complete all wiring connections and supply power to the projector. Final adjustments can then be made to perfectly align the projected image with the screen.

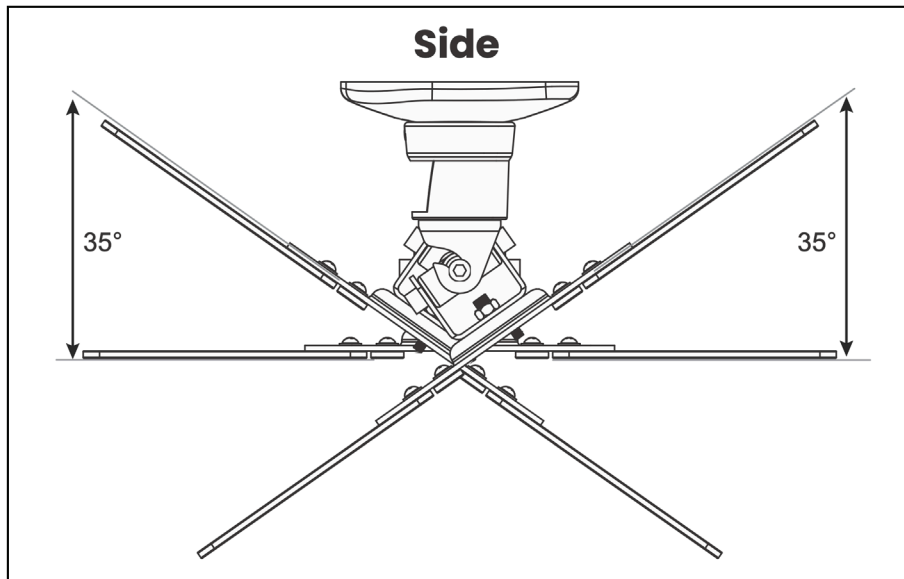
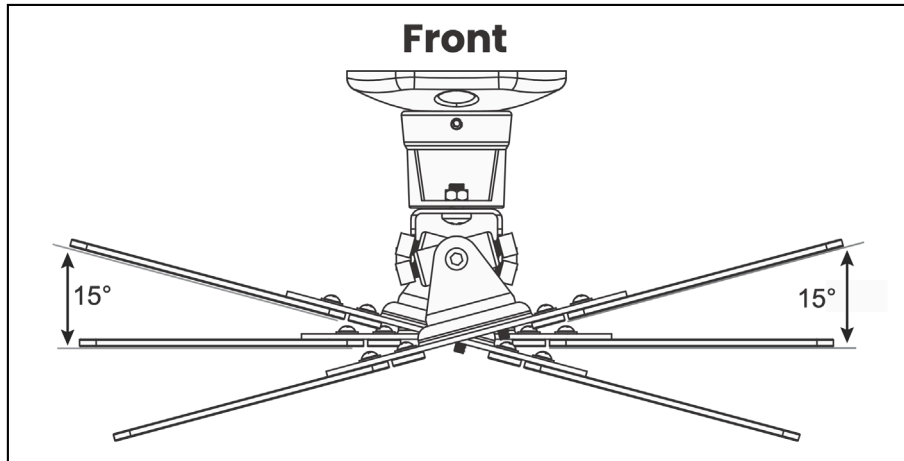
1. To change the tilt of the projector, use the S4 hex wrench to first loosen the screws on the mount base.



2. Tilt the projector into the desired position and re-tighten the screws.
3. To change the direction the projector faces, first loosen the set screw with the S3 hex wrench . Turn the projector to the desired direction and re-tighten the set screw. For easier adjustments, loosen the screws only enough to allow for movement of the parts while maintaining some friction (1/8 to 1/4 turn).

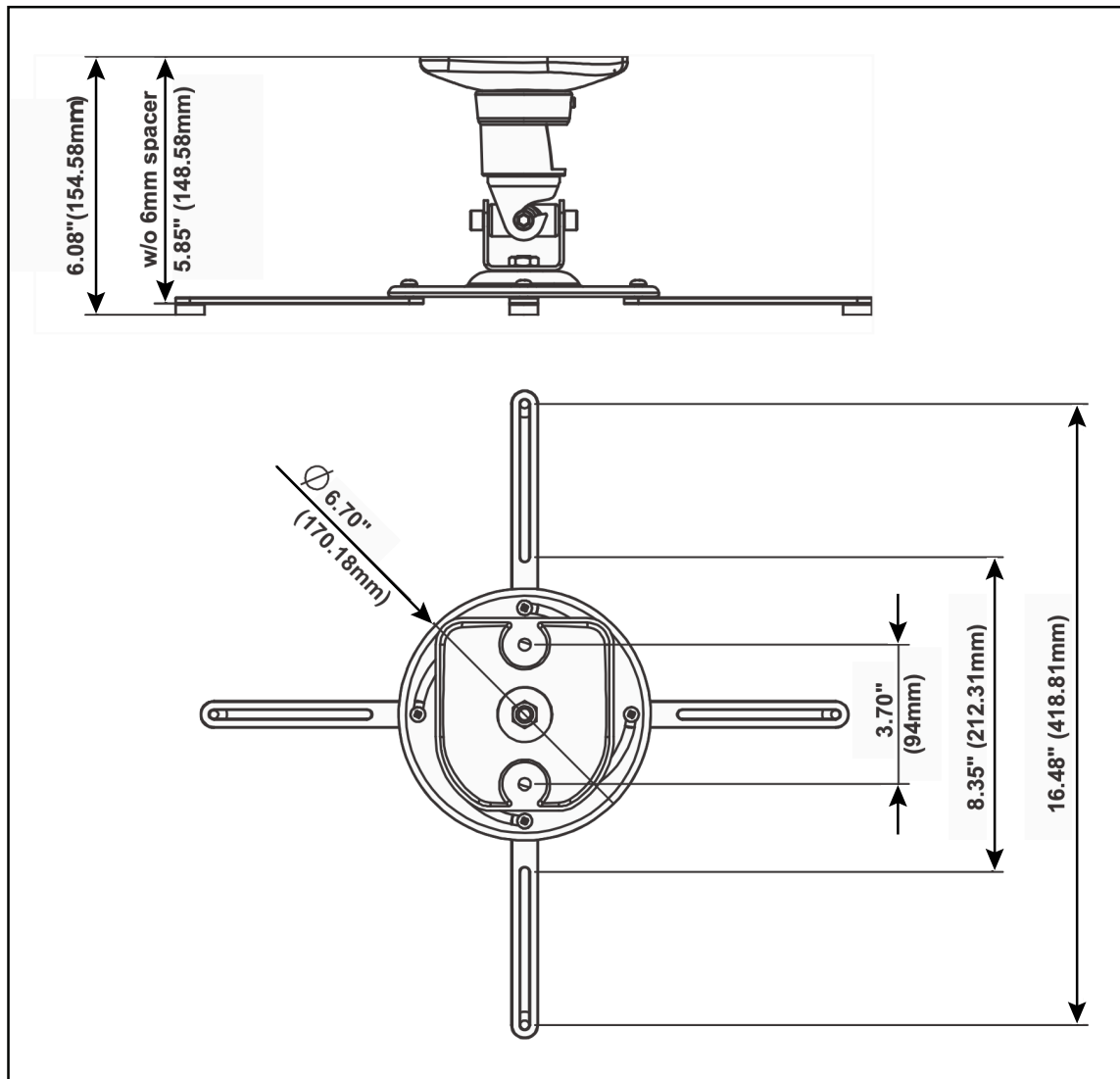


Pro Tip: The SM-PROJ-M can tilt up to 35° from horizontal between the mounting surface and the projector. If the mounting angle of the ceiling plate is greater than 15° from horizontal (as with sloped or angled ceilings) then the projector mount may need to be adjusted so that tilt can be increased.



4. If adjustment is necessary, loosen the set screw at the mount body to ceiling plate location and adjust the orientation of the mount base as needed to allow for enough tilt.

Dimensions



Technical Support

For chat and telephone, visit ctrl4.co/techsupport • Email: TechSupport@SnapOne.com
Visit tech.control4.com/technician for discussions, instructional videos, news, and more.

Warranty and Legal Notices

Find details of the product's Limited Warranty and other resources such as regulatory notices and patent and safety information, at snapone.com/legal or request a paper copy from Customer Service at 866.424.4489.

Copyright ©2024, Snap One, LLC. All rights reserved. Snap One and its respective logos are [registered trademarks](#) or trademarks of Snap One, LLC, in the United States and/or other countries. 4Store, 4Sight, Control4, Control4 My Home, SnapAV, Araknis Networks, BakPak, Binary, Dragonfly, Episode, Luma, Mockupancy, Nearus, NEEQ, Optiview, OvrC, Pakedge, Sense, Strong, Strong Evolve, Strong VersaBox, SunBriteDS, SunBriteTV, Triad, Truvision, Visualint, WattBox, Wirepath, and Wirepath ONE are also registered trademarks or trademarks of Snap One, LLC. Other names and brands may be claimed as the property of their respective owners. Snap One makes no claim that the information contained herein covers all installation scenarios and contingencies, or product use risks. Information within this specification subject to change without notice.

20240621 1630br

Part #200-SM-PROJ-M-MANUAL, SM-PROJ-M

