



SM-SWIVEL-S
Universal Swivel Mount



Installation Manual

Warnings

- Read these instructions before attempting installation.
- The wall or mounting surface must be capable of supporting three times the combined weight of the mount and the display. Reinforce the structure, if required.
- Use appropriate safety gear and proper tools.
- Consult the owner's manual for the display and follow all instructions regarding adequate ventilation and suitable mounting locations for the display.

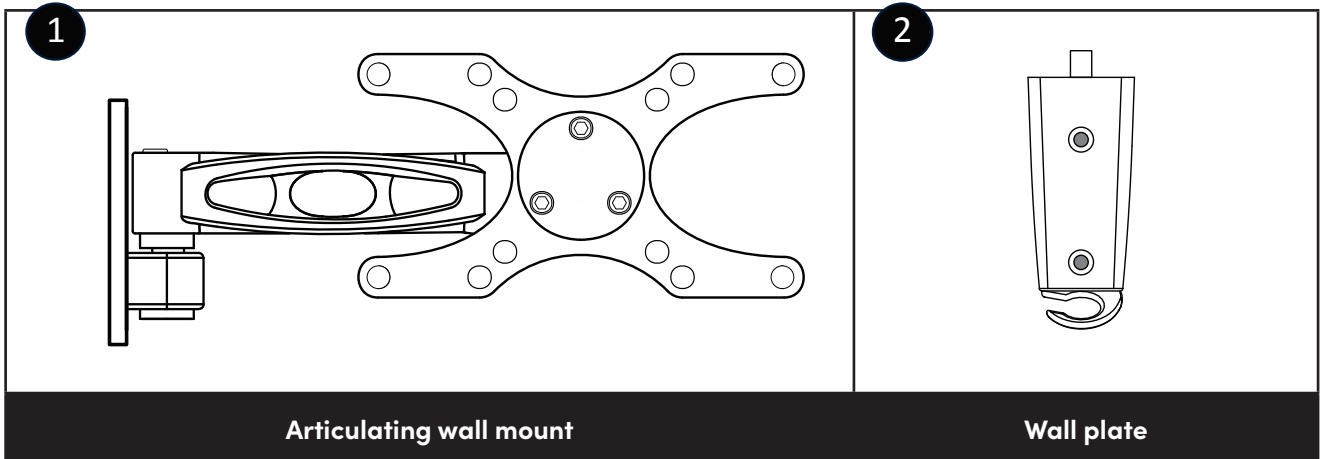


Caution: Do not exceed the maximum weight of 33 lbs (15 kg).

Specifications

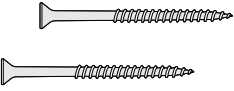
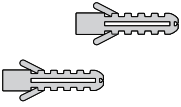


- Maximum load: 33 lbs (15 kg)
- VESA pattern: 75×75, 100×100, 200×100
- Tilt range: $\pm 13.8^\circ$
- Pan/swivel range: 180°
- Horizontal rotation: 360°
- Extension/profile: 3.7–15.2 in (9.5–38.5 cm)

Box contents

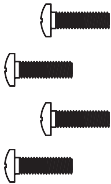
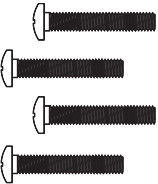
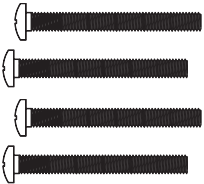
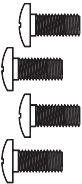
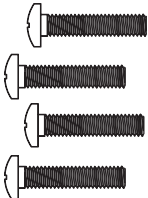
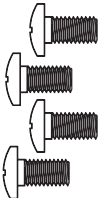
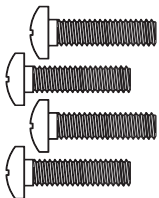


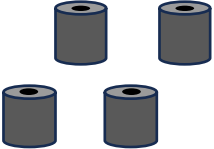


Hardware kit

Bag 1

			
<p>A</p> <p>Wood screw ×2</p>	<p>B</p> <p>Concrete anchor ×2</p>	<p>C</p> <p>S3 Hex wrench</p>	<p>D</p> <p>S4 Hex wrench</p>

Bag 2

			
<p>E</p> <p>M4×10 Screw ×4</p>	<p>F</p> <p>M4×20 Screw ×4</p>	<p>G</p> <p>M4×30 Screw ×4</p>	<p>H</p> <p>M5×10 Screw ×4</p>
			
<p>I</p> <p>M5×20 Screw ×4</p>	<p>J</p> <p>M6×10 Screw ×4</p>	<p>K</p> <p>M6×20 Screw ×4</p>	<p>L</p> <p>M5 Washer ×16</p>
			
<p>M</p> <p>M8 Washer ×8</p>	<p>N</p> <p>Nylon washer ×4</p>		

Required tools

- Phillips screwdriver
- Power drill
- Stud finder (drywall installation)
- 3/16 in (5mm) drill bit (drywall installation)
- 5/16 in (8mm) masonry bit (concrete installation)
- Hammer (concrete installation)

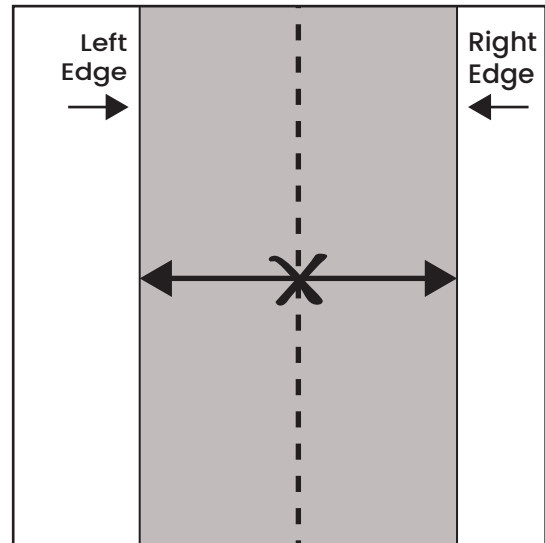
Installation

Install the wall plate (drywall)

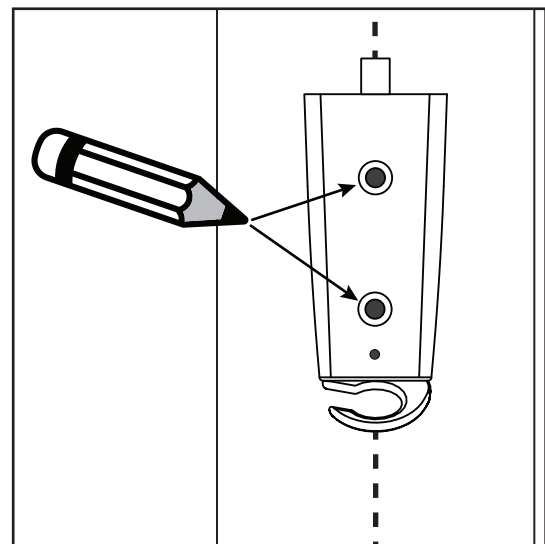
Warning

Secure this mount to a wooden stud that is capable of supporting three times the combined weight of the mount and the display.

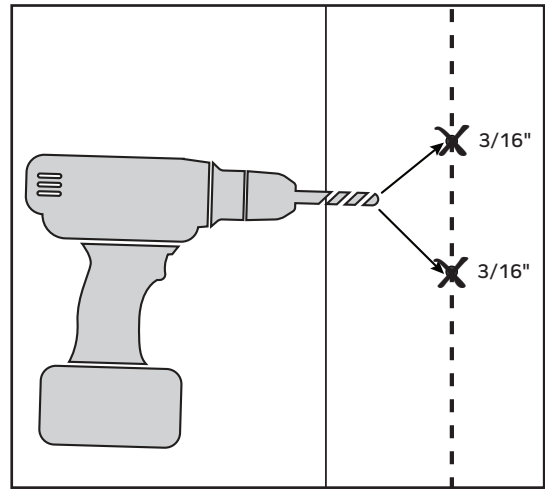
1. Locate the wall plate (2) and wood screws (A).
2. Use a stud finder to locate a single stud at the desired mounting location.
3. Mark both edges of the stud to help identify the exact center.



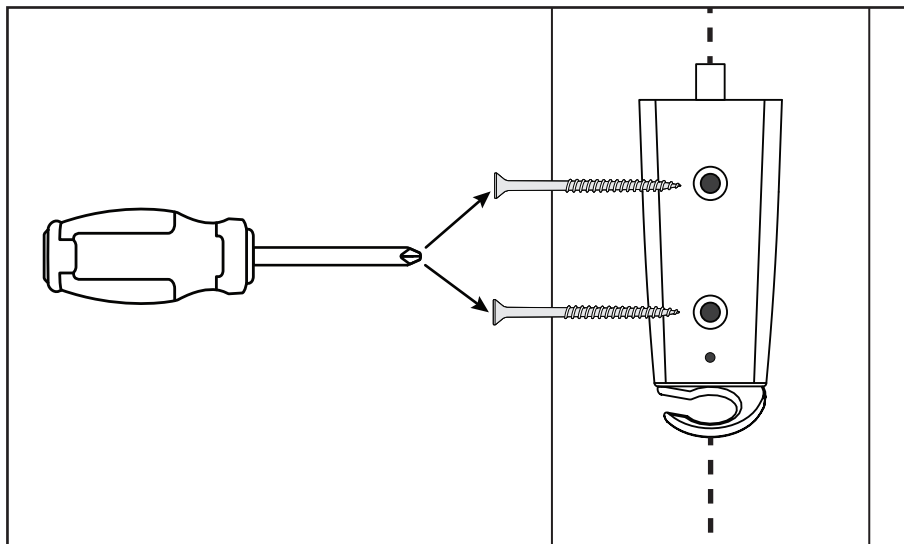
4. Using the integrated bubble level, place the wall plate (2) over the center of the marked stud and level it.
5. Mark the two holes for securing the mount and set the wall plate aside.



6. Drill a 3/16 in (5 mm) pilot hole at each marked location. Drill to a depth of at least 2 in (51 mm).



7. Move the wall plate back into position and attach it using the wood screws (A) from the hardware kit. Do not over-tighten these screws.

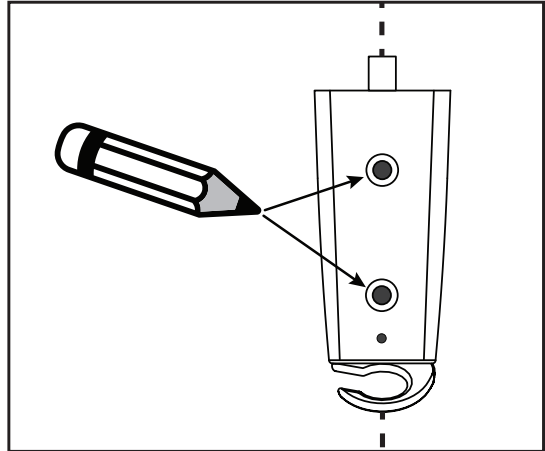


Install the wall plate (concrete)

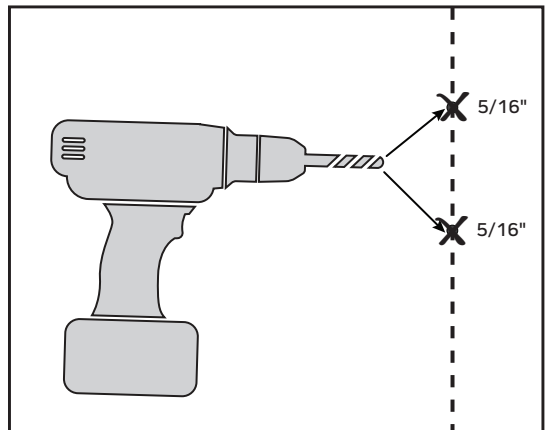
Warning

Secure this mount to concrete that is capable of supporting three times the combined weight of the mount and the display.

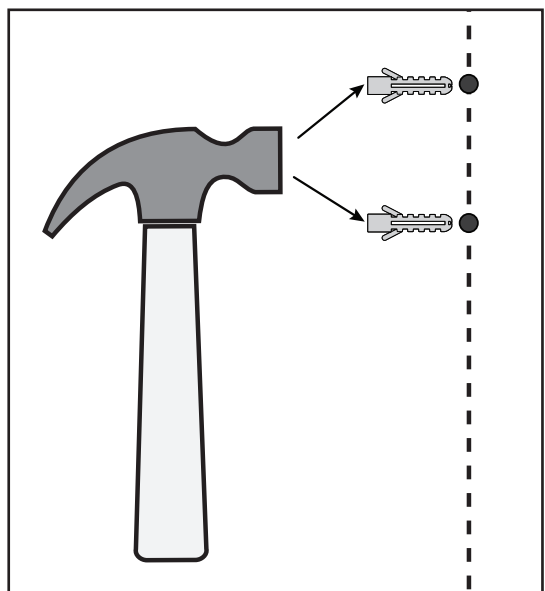
1. Place the wall plate (2) against the wall in the desired location and level it, using the integrated bubble level.
2. Mark the two holes for securing the mount and set the wall plate aside.



3. Drill a 5/16 in (8 mm) hole at both marked locations. Remove any excess dust from the holes.



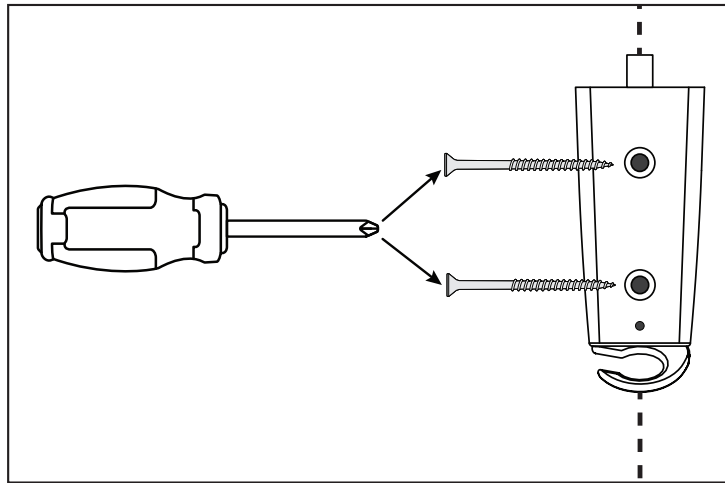
4. Insert a concrete anchor (B) into each hole so that it is flush with the concrete surface. Use a hammer to lightly tap the anchors into place, if necessary.



Warning

If the concrete wall is covered by a layer of plaster or drywall, the concrete anchor must pass completely through the layer to rest flush with the concrete surface.

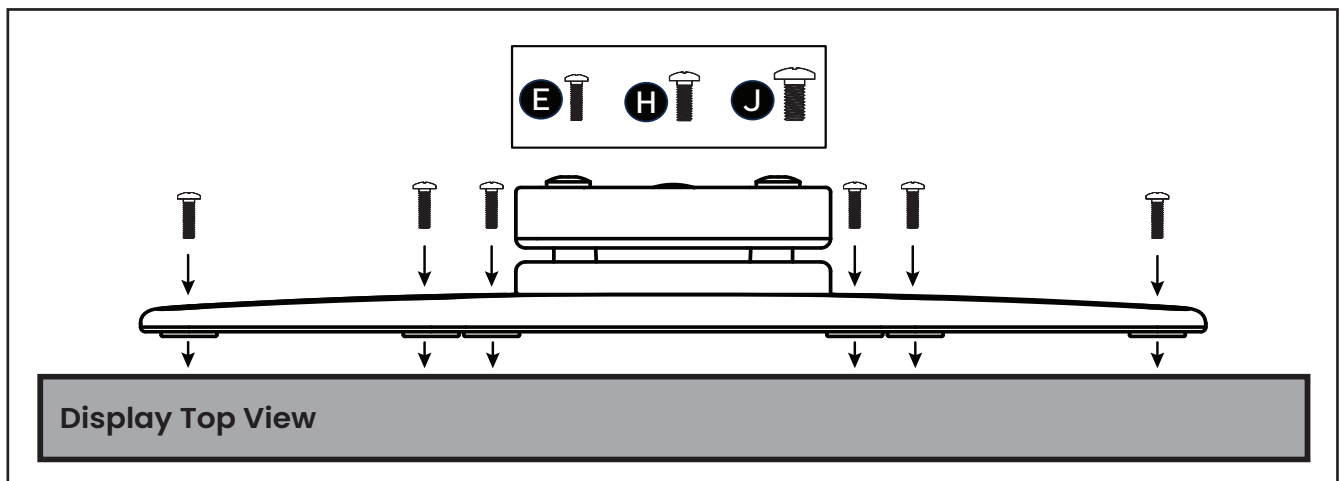
5. Move the wall plate back into position and attach it using the wood screws (A) from the hardware kit. Do not over-tighten these screws.



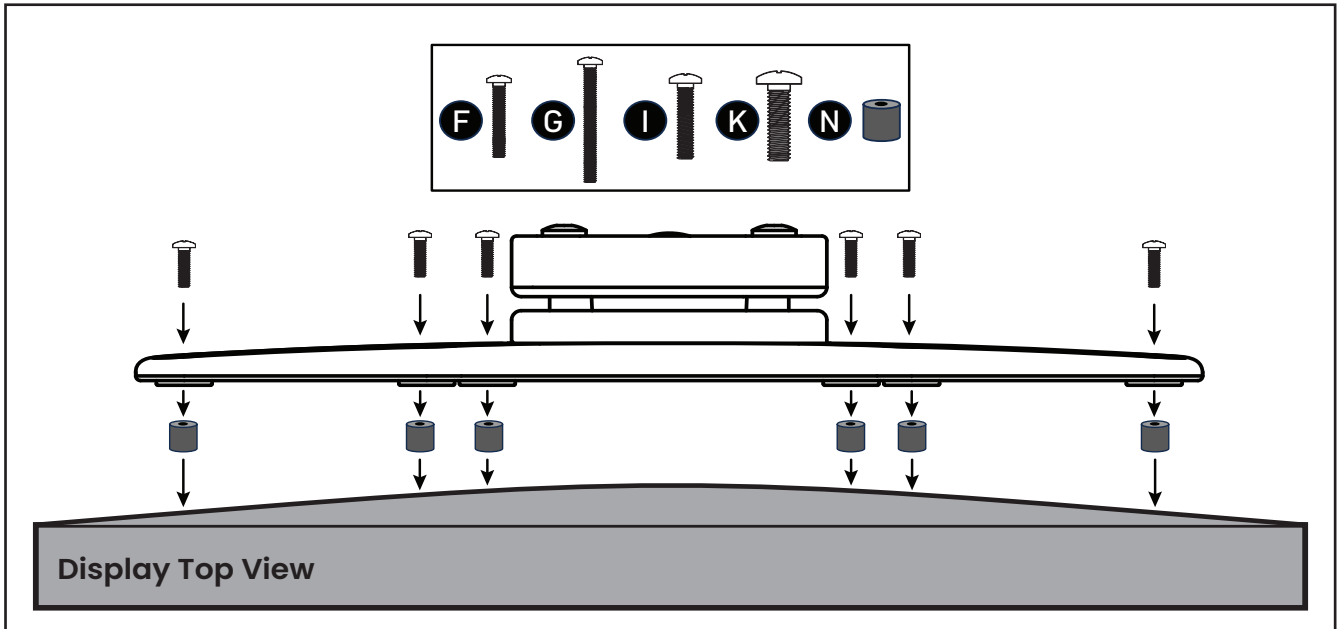
Attach the mount to the display

Pro Tip: Use extra care during this part of the installation. If possible, avoid placing the display face down as it may damage the viewing surface.

1. Determine the correct screw to use by examining the back of the display:
 - The mount comes with several different screw lengths to accommodate a wide variety of display models. Not all of the hardware in the kit will be used.
 - If the back of the display is flat and the mounting holes are flush with the surface, use the 10 mm screws (E, H or J) from the hardware kit.



- If the back of the display is curved, has a protrusion, or if the mounting holes are recessed, it may be necessary to use the longer screws (F, G, I or K) and the spacers (N).

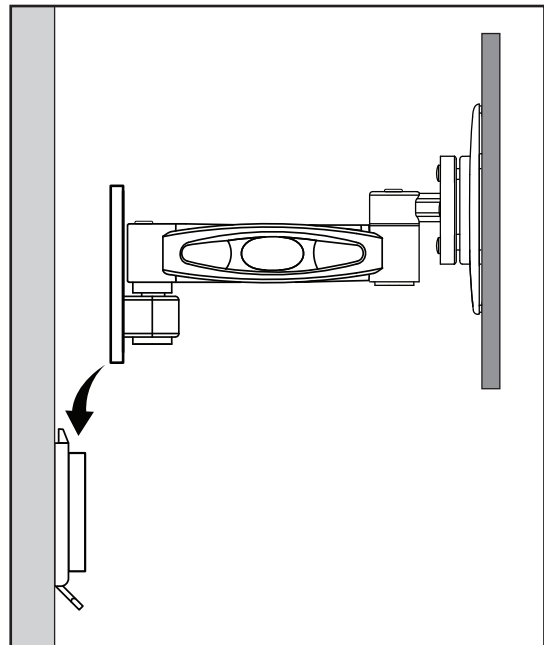


2. Attach the mount (1) to the back of the display using the hardware identified in **Step 1**. Secure all screws, but do not over-tighten.

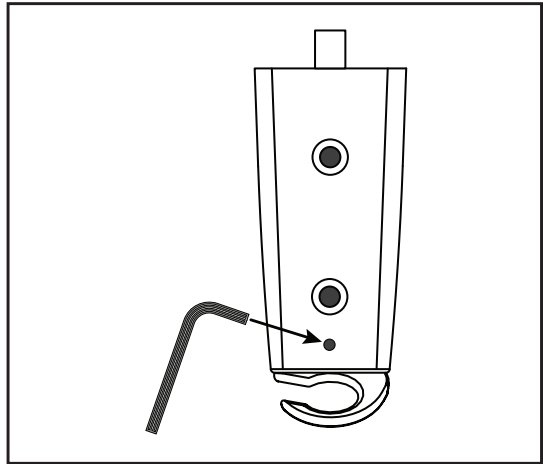
Pro Tip: If the holes of the mount do not line up with the holes on the display, verify that the display is VESA compatible. This mount can only be used with displays that are compatible with VESA 75, 100, or 200 standards.

Final assembly

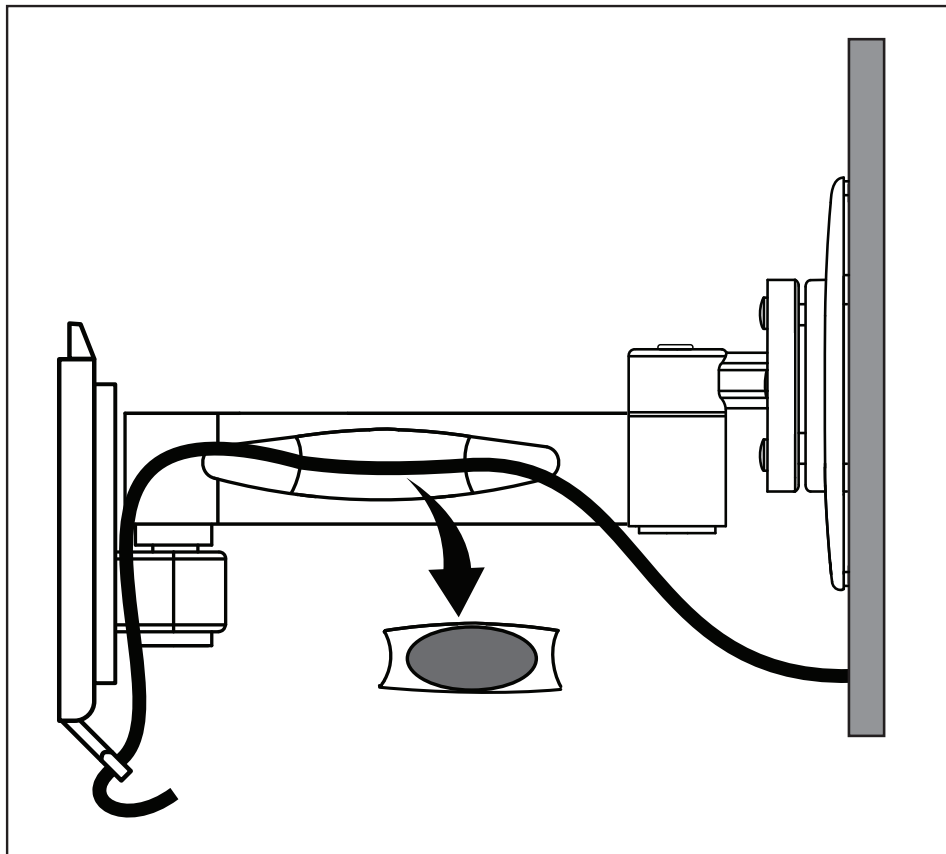
1. To complete the installation, slide the mount with the display attached into the wall plate. The plastic tab at the top of the wall plate clicks to indicate that the mount is secure.
2. To remove the mount from the wall, push in on the plastic tab and carefully slide the mount upwards and out of the wall plate.



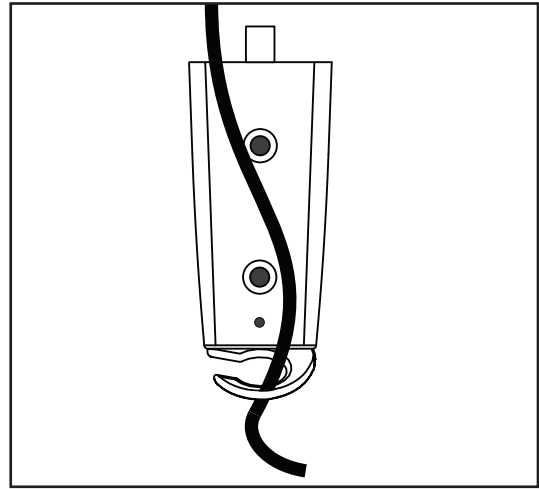
3. For extra security and stability, use the S3 hex wrench (C) to tighten the set screw located on the wall plate. Loosen the set screw before attempting to remove the mount from the wall.



4. To use the integrated cable management feature:
 - a. Remove the plastic covers located on the arms of the mount.
 - b. Route the cables through the arms and re-attach the plastic covers. Leave enough slack in the cables so that they are not pulled or pinched when the mount is moved.

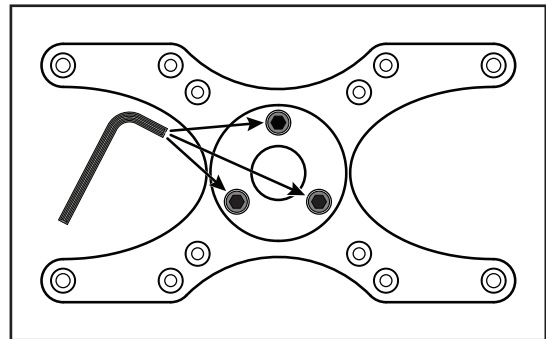


- c. The cables may also be routed through the hook located at the bottom of the wall plate, if desired.

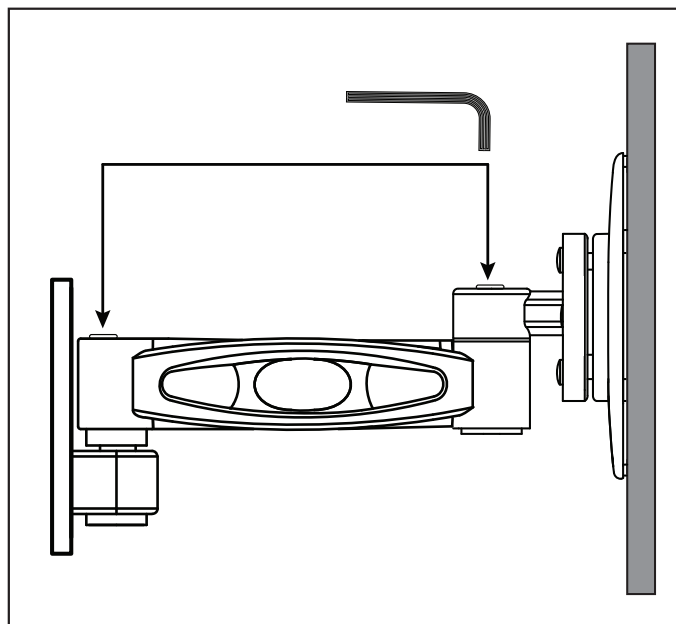


Operation and adjustment

- 1. To adjust the tilt angle or rotate the screen:
 - a. Firmly grasp the sides of the display and carefully move it into position.
 - b. If the mount is too difficult to move or is too loose to hold in position, adjust the three screws located directly behind the head of the mount using the S4 hex wrench (D). Adjust all of the screws evenly.



- 2. Move the display into the desired position to make swivel adjustments. If any of the swivel joints are too tight or become too loose to hold the mount in place, use the S4 hex wrench to adjust the display.



Technical Support

For chat and telephone, visit ctrl4.co/techsupport • Email: TechSupport@SnapOne.com
Visit tech.control4.com/technician for discussions, instructional videos, news, and more.

Warranty and Legal Notices

Find details of the product's Limited Warranty and other resources such as regulatory notices and patent and safety information, at snapone.com/legal or request a paper copy from Customer Service at 866.424.4489.

Copyright ©2024, Snap One, LLC. All rights reserved. Snap One and its respective logos are [registered trademarks](#) or trademarks of Snap One, LLC, in the United States and/or other countries. 4Store, 4Sight, Control4, Control4 My Home, SnapAV, Araknis Networks, BakPak, Binary, Dragonfly, Episode, Luma, Mockupancy, Nearus, NEEQ, Optiview, OvrC, Pakedge, Sense, Strong, Strong Evolve, Strong VersaBox, SunBriteDS, SunBriteTV, Triad, Truvision, Visualint, WattBox, Wirepath, and Wirepath ONE are also registered trademarks or trademarks of Snap One, LLC. Other names and brands may be claimed as the property of their respective owners. Snap One makes no claim that the information contained herein covers all installation scenarios and contingencies, or product use risks. Information within this specification subject to change without notice.

20240621 1650br

Part #200-SM-SWIVEL-S INSTALLATION MANUAL SM-SWIVEL-S

