

TRIAD QUICK START GUIDE - OUTDOOR OD25 & OD26

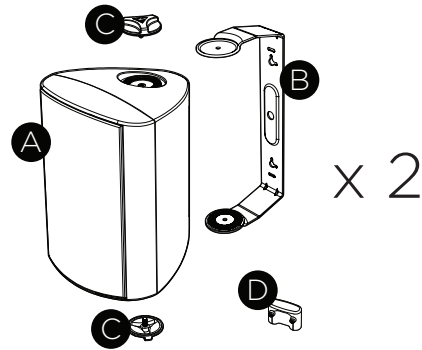
OVERVIEW

Triad outdoor speakers are attractive, weather-resistant speakers engineered in the U.S. to have a rich and full sound. To help them better integrate into their surroundings, Triad Outdoor Speakers are available in custom colors directly from Triad. Thank you for purchasing this product!

IN THE BOX

Two (2) Speaker Assemblies including:

- A - Enclosure
- B - Bracket
- C - Assembly knobs
- D - Silicone binding post covers



WARRANTY

Triad Speakers warranty information

Find details of the product's Limited Warranty and other resources such as regulatory notices and patent and safety information, at snapone.com/legal or request a paper copy from Customer Service at 866.424.4489.

Return Merchandise Authorization (RMA) information

For Sales RMAs contact your Inside Sales Associate. Your ISA information can be found in the My Account section of the Dealer Portal under Control4 Contacts.

Technical Support information

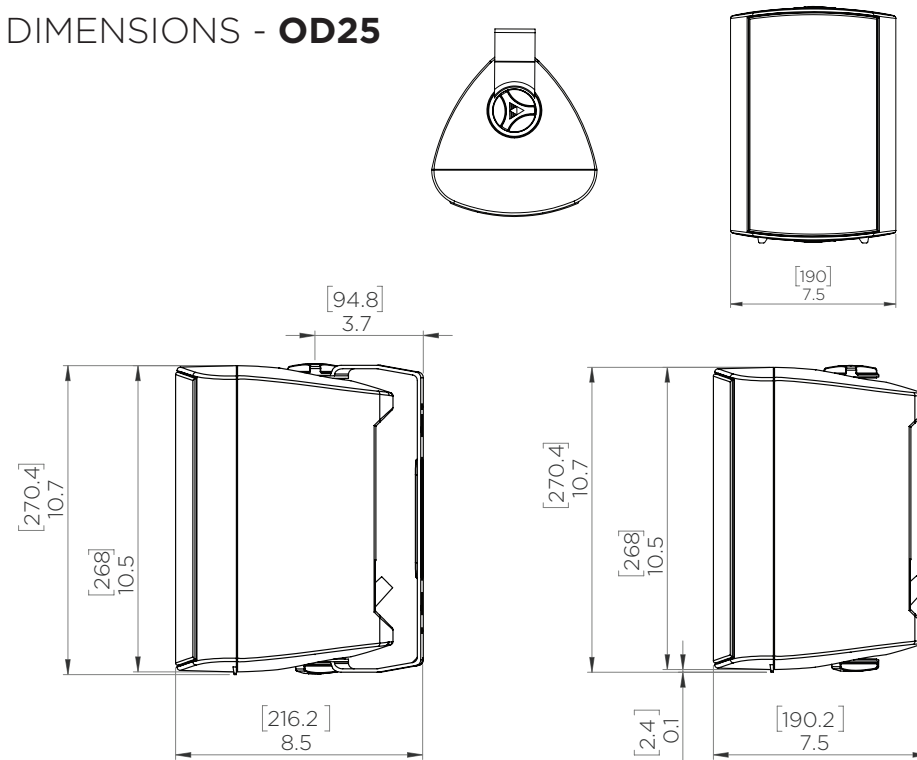
For chat and telephone, visit ctrl4.co/techsupport
Email: TechSupport@SnapOne.com

Visit tech.control4.com/technician for discussions, instructional videos, news, and more.

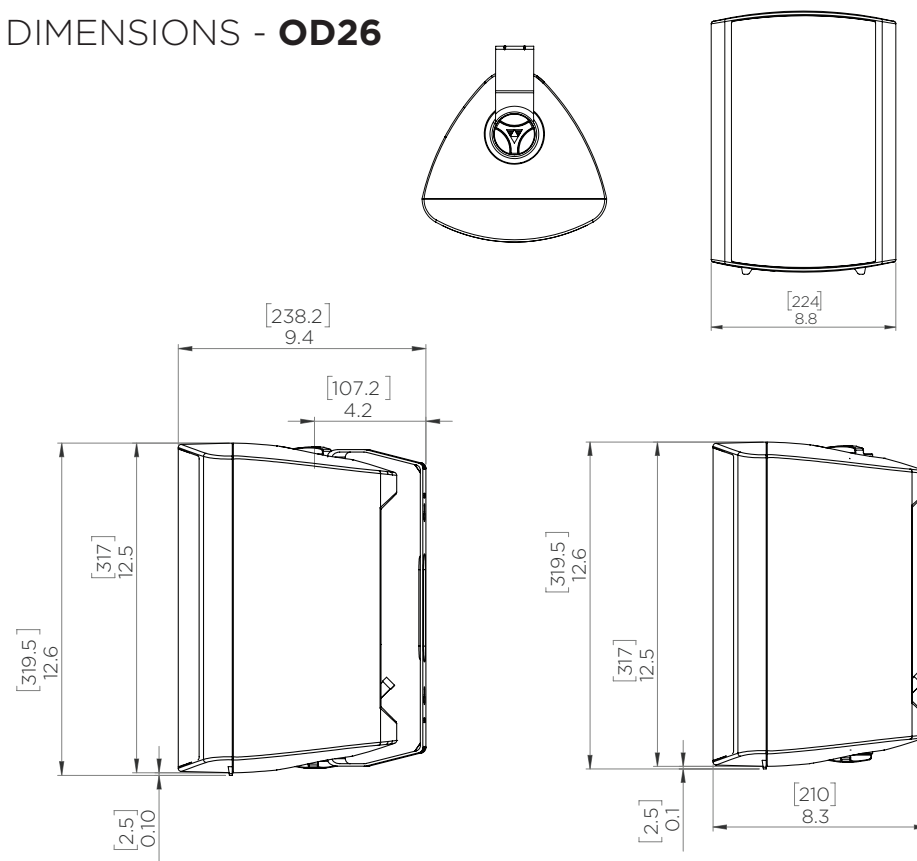
Copyright

Copyright ©2022, Snap One, LLC. All rights reserved. Snap One and its respective logos are registered trademarks or trademarks of Snap One, LLC, in the United States and/or other countries. Control4 and Strong are also registered trademarks or trademarks of Snap One, LLC. Other names and brands may be claimed as the property of their respective owners. Snap One makes no claim that the information contained herein covers all installation scenarios and contingencies, or product use risks. Information within this specification subject to change without notice.

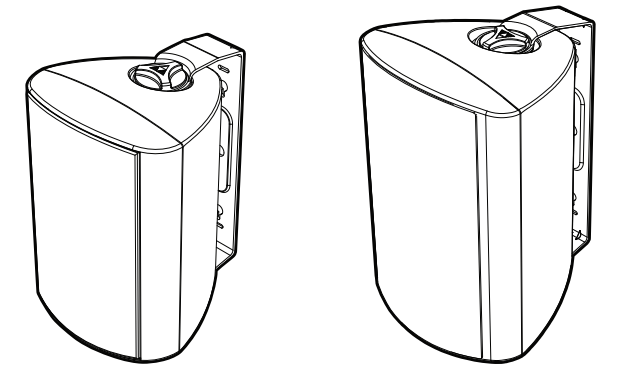
DIMENSIONS - OD25



DIMENSIONS - OD26



SPECIFICATIONS

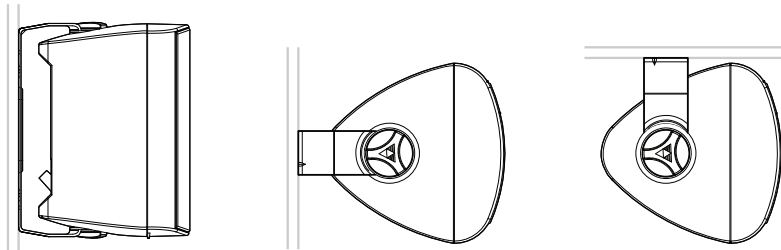


	OD25	OD26
Enclosure size (H x W x D) in.	10 ⁹ / ₁₆ x 7 ¹ / ₂ x 7 ¹ / ₂	12 ⁷ / ₁₆ x 8 ⁷ / ₈ x 8 ¹ / ₄
Enclosure WITH bracket (H x W x D) in.	10 ⁹ / ₁₆ x 7 ¹ / ₂ x 8 ¹ / ₂	12 ⁷ / ₁₆ x 8 ⁷ / ₈ x 9 ³ / ₈
Enclosure size (H x W x D) mm	270 x 190 x 190	319 x 224 x 210
Enclosure WITH bracket (H x W x D) mm	270 x 190 x 216	319 x 224 x 238
Product weight /each	7.5lb / 3.4kg	9lb / 4.1kg
Shipping weight / pair	17lb / 7.7kg	21.5lb / 9.8kg
Shipping weight Master pack (4 ea.)	37lb / 16.8kg	47lb / 21.4kg
Tweeter - size (in./mm)	1" / 25mm	1" / 25mm
Tweeter material	Titanium	Titanium
Woofer - number & size (in./cm)	(1) 5.25" / 14cm	(1) 6.5" / 17cm
Woofer material	Carbon fiber	Carbon fiber
Recommended amplifier power (W)	25-150	25-150
Nominal Impedance (ohms)	6	6
Minimum Impedance (ohms)	4.8	4.8
Sensitivity (dB @ 2.83v, 1 m)	84	86
Frequency Response 2 π +/- 3dB (Hz)	75 - 20k	65 - 20k

TRIAD QUICK START GUIDE - OUTDOOR OD25 & OD26

SPEAKER PLACEMENT

Traid Outdoor OD25 & OD26 speakers can be installed in numerous locations. The bracket can be affixed vertically or horizontally.



On a wall, vertically

On a wall, horizontally

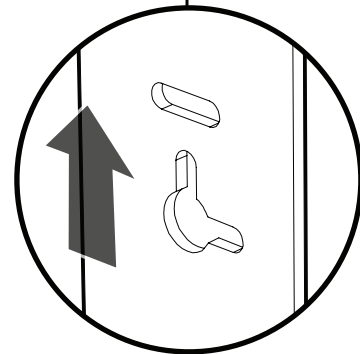
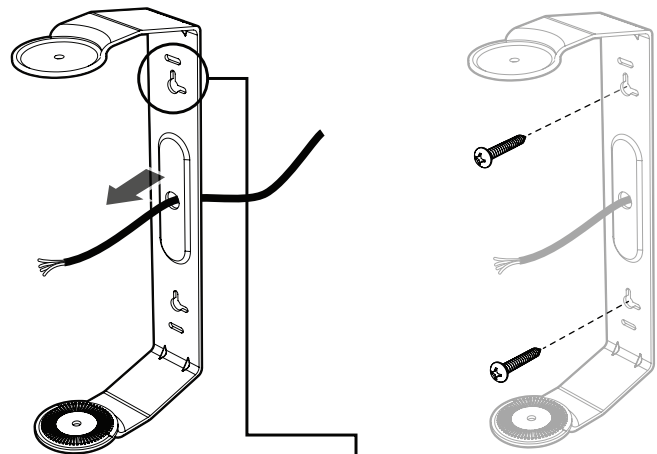
Under an eave

INSTALLATION

To install the speakers, first install the bracket to desired location.

- 1** Pass wire through hole in bracket.

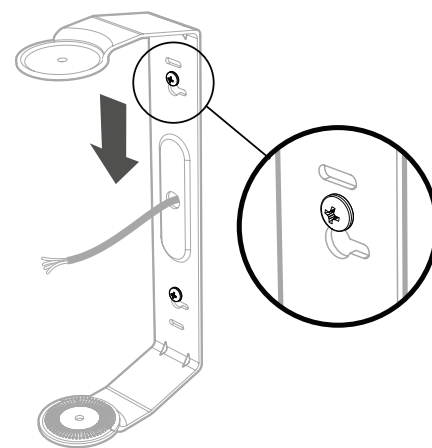
- 2** Screw bracket to wall, keeping screws (not included) LOOSE.



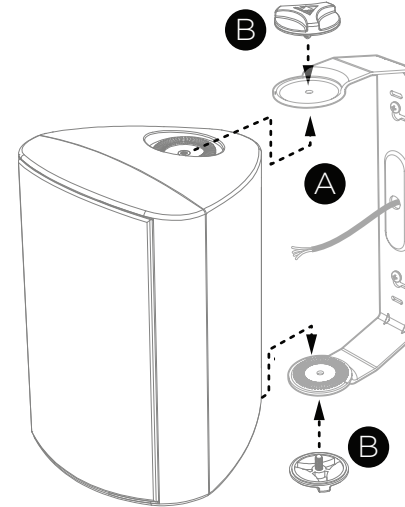
MAKE SURE CUTOUTS IN BRACKET ARE ORIENTED CORRECTLY

INSTALLATION, cont.

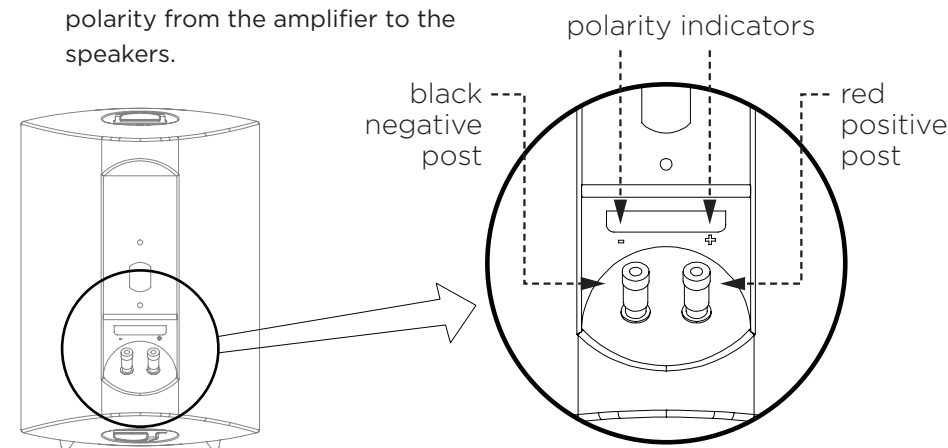
- 3** Slide bracket so screw heads are securely in a slot. Tighten screws.



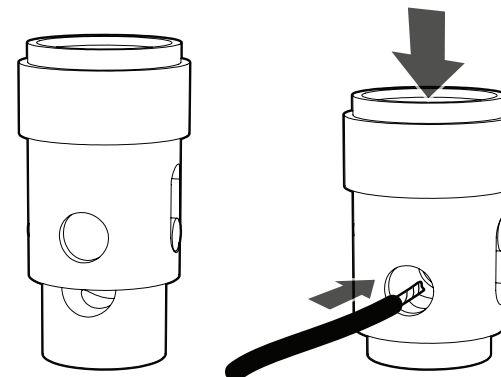
- 4** Assemble speaker into bracket. Screw knobs LOOSELY through bracket into enclosure.



- 5** Attach wires to binding posts in back of speaker. Be sure to keep proper polarity from the amplifier to the speakers.

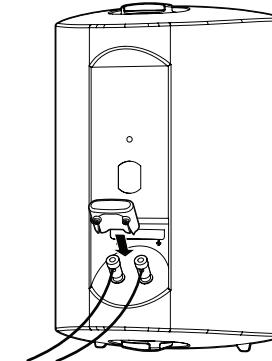


Push binding posts down to align wire holes & insert wire. Release binding post top when wire has been inserted.

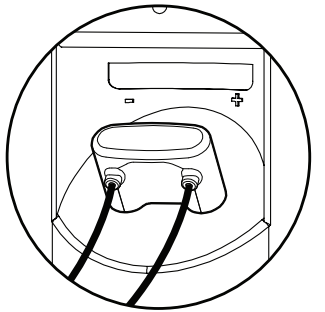
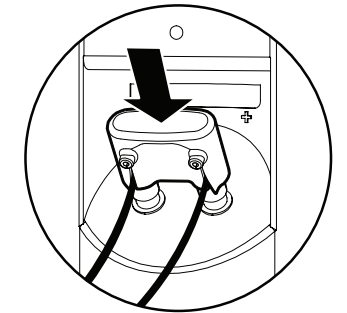


INSTALLATION, cont.

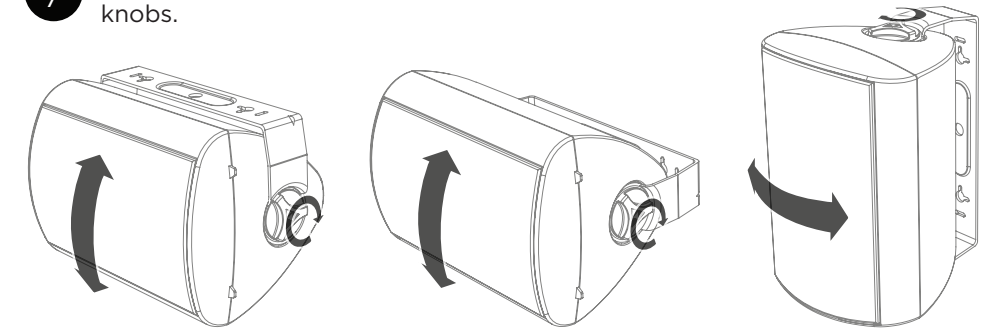
- 6** Slide silicone binding post cover over binding posts to protect against moisture.



Small slits in front of binding post cover slip over wires until wires are seated in the holes.

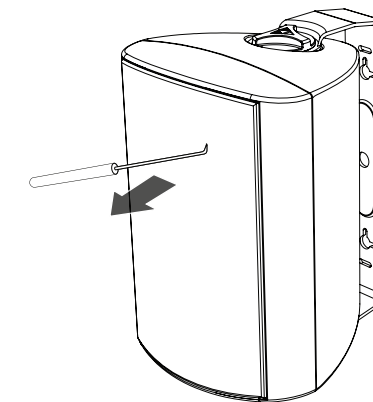


- 7** Aim speakers to optimal position, then tighten both knobs.

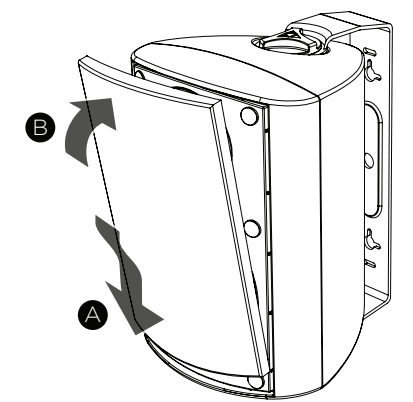


GRILLE REMOVAL & REPLACEMENT

If grille removal is necessary for any reason, see instructions below:



REMOVE: Use a Triad Grille Pick or other suitable tool to grab grille & pull outward.



REPLACE: First slip bottom end into enclosure, then slide downward and push top into place.