

Power Supply Installation Guide

24V 30W/60W/96W/200W/300W

Supported models

- C4-PS24-30 – Control4 Vibrant 30 Watt 24V Power Supply
- C4-PS24-60 – Control4 Vibrant 60 Watt 24V Power Supply
- C4-PS24-96 – Control4 Vibrant 96 Watt 24V Power Supply
- C4-PSO24-200 – Control4 Vibrant 200 Watt 24V Power Supply
- C4-PSO24-300 – Control4 Vibrant 300 Watt 24V Power Supply

Introduction

The Control4 Vibrant 24V Power Supply dimmable drivers operate with any standard MLV / ELV / Incandescent TRIAC (forward phase) dimmers or can be used to power multi-channel (color) control systems.

The 30/60/96-Watt supplies are encased in a low profile aluminum enclosure that includes knock-outs for easy installation in any low-voltage application.

The 200/300-Watt supplies are encased in a sealed low profile aluminum enclosure suitable for outdoor locations.

Specifications and supported dimming

The specifications are described below.

Model numbers	C4-PS24-30	C4-PS24-60	C4-PS24-96	C4-PSO24-200	C4-PSO24-300
Input voltage	100-277V AC				
Output voltage	24V DC				
Current	1.25A	2.5A	4A	8.33A	12.5A
Min load	3W	6W	9.6W	20W	30W
Max load	30W	60W	96W	200W	300W
Supported dimming	Phase (ELV/MLV/TRIAC)			Phase (ELV/MLV/TRIAC) / 0-10V / 1-10V / 10V PWM / Potentiometer	

Warnings and considerations

IMPORTANT! Read all installation instructions before beginning; if not qualified, do not attempt installation. Contact a qualified electrician

IMPORTANT! To reduce the risk of fire, electric shock, or injury to persons, pay close attention to this manual and stay within its guidelines when using this product. Save these instructions for future use.

IMPORTANT! Do not cover this product with paper surface coverings, fabrics, streamers, or other similar combustible materials.

IMPORTANT! Do not route the cord through walls, ceilings, doors, windows, or any similar part of the building structure.

IMPORTANT! Do not secure this product or its cord with staples, nails, or like means that may damage the outer jacket or cord insulation.

IMPORTANT! Do not install in airtight tanks or enclosures of any kinds.

WARNING! These products may represent a possible shock or fire hazard if improperly installed or attached in any way. Products should be installed in accordance with these instructions, current electrical codes, and/or the current National Electric Code (NEC).



WARNING! To reduce the risk of fire, electric shock or injury to persons, make sure that the electrical power to the system is disconnected at the source prior to installation or any servicing.



WARNING! This device must be protected by a circuit breaker (20A max).
ATTENTION! Cet appareil doit être protégé par un disjoncteur (20A max.)



IMPORTANT! Using this product in a manner other than outlined in this document voids your warranty. Further, Snap One is NOT liable for any damage incurred with the misuse of this product. See "Troubleshooting."



IMPORTANT! Snap One does not guarantee the performance of any power supply in your environment. Customer assumes all risks, including any damage to Snap One products, associated with (i) the type, load rating and quality of the bulb and lamp/fixture, or (ii) any use or installation not in accordance with the documentation furnished by Snap One, either with the Snap One product or at www.Snapone.Com.

Before you install the power supply

Ensure that the location and intended use meet the following criteria:

- Your tape light does not exceed the maximum run length.
- Your power supply is rated for 20% more than the total wattage of the run.
- The voltage drop from the tape light length and the length of connecting wires does not go below 21.6V.

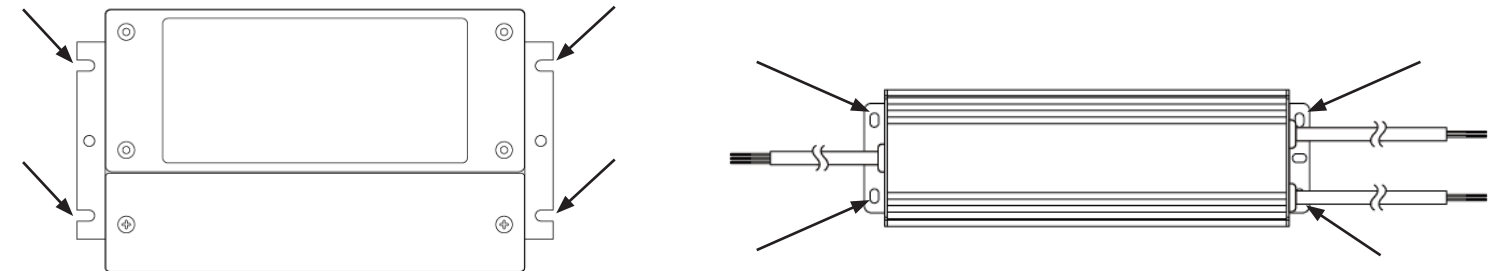
- 1 Before you install the power supply, calculate the length of the tape light run and multiply the length by the wattage per distance specification.

For example, if you have 10 feet of Fully Tunable linear light at 6.5 W per foot, you need at least a 65-Watt power supply, that would mean you need the C4-PS24-96 – Control4 Vibrant 96-Watt 24V Power Supply.

- 2 Ensure that the total length of tape, wiring, and connectors does not drop the voltage below 21.6V. See this link to calculate voltage drop based on length of wires and wire gauge: ctrl4.co/vibrant-voltagedrop.

Installing the power supply

- 1 Securely mount the power supply using the slots or screw holes on both ends of the power supply.



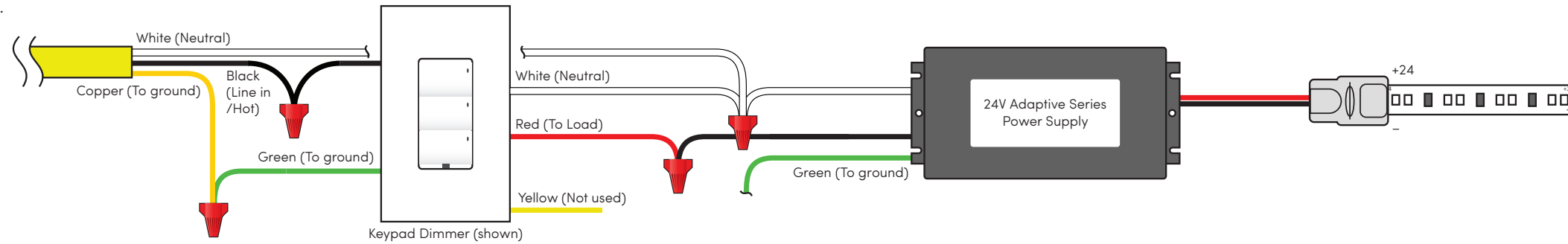
- 2 The 30W, 60W, and 96W power supplies have a wiring enclosure with line voltage and low voltage wiring compartments with knockouts that can be used to safely run your wiring. For the 200W and 300W power supplies, install your high voltage wiring inside an approved wallbox or enclosure. Ensure that all wiring complies with local electrical codes and regulations.

Procedures for wiring the power supply are on the following page.

Wiring the power supply

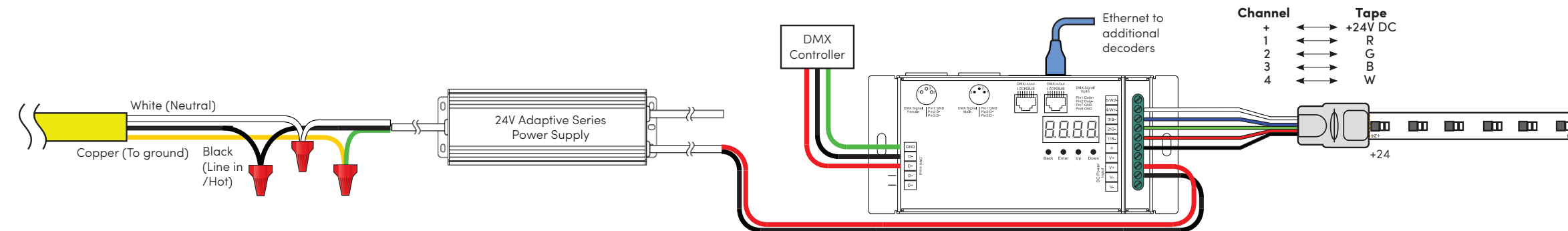
Dimmer or switch control

As shown in the diagram below, connect the dimmer or switch to the 24V DC power supply as the load. Then, connect the 24V DC to the tape light. Always check the polarity and connect the red wire to **+** and the black wire to **-**. To wire the tape light, follow the instructions in the tape lighting installation guide.



Multi-channel (color) control

If using a DMX decoder, wire the 24V DC power supply into the **V+** and **V-** DC power input terminals on the decoder as shown below. To wire the tape light, follow the instructions in the tape lighting installation guide.



Warranty and legal information

Find details of the product's Limited Warranty at snapone.com/legal or request a paper copy from Customer Service at [866.424.4489](tel:866.424.4489).

Find other legal resources, such as regulatory notices and patent information, at snapone.com/legal.