

Performance Fully Tunable Linear Light-16.4 ft (5 m)

Supported models

- C4-LP-FT-16 Control4 Vibrant Performance Fully Tunable Linear Light-16.4 ft (5 m)

Introduction

Vibrant Fully Tunable tape light requires the use of an Ethernet or Zigbee DMX controller for color changing operation (not included).

Vibrant® tape light utilizes a nano-coating for ingress protection. It is recommended to scrape off the coating from each conductor to ensure a proper connection.

IP54 reels include attached 6 ft lead wires, (3) heavy duty snap connectors with wires attached, and (3) heavy duty tape-to-tape connectors. Mount tape light using the 3M® adhesive on back of tape. Once the protective backing is removed the tape should be placed on the prepared mounting surface and not be repositioned, removed, or re-used. For best results, let adhesive cure 24 hours prior to first use.

Box contents

- Control4 Vibrant Performance Fully Tunable tape light, 16.4 ft reel
- Four-Wire Connector Block with Lead (3)
- Four-Wire Jumper with Connector Blocks (3)
- Emery Board

Specifications

The specifications are described below.

Model numbers	C4-LP-FT-16
Wattage	5.9W/ft (19.4W/m)
Lumens	410 Lm/ft (1345 Lm/m)
Maximum run	16.4 feet (5 m) (48.05 watts)
Tape Size	0.39" (10 mm) W x 0.06" (1.65 mm) H
Reel length	16.4 feet (5 m)
Cutting increment	2.46" (62 mm)
Control method	24V power supply with DMX controller and decoder
Dimming compatibility	5 - 100% with DMX controller and decoder
IP rating	IP54 suited for indoor dry and damp locations

Warnings and considerations

IMPORTANT! Read all installation instructions before beginning; if not qualified, do not attempt installation. Contact a qualified electrician

IMPORTANT! To reduce the risk of fire, electric shock, or injury to persons, pay close attention to this manual and stay within its guidelines when using this product. Save these instructions for future use.

IMPORTANT! Do not cover this product with paper surface coverings, fabrics, streamers, or other similar combustible materials.

IMPORTANT! Do not operate Vibrant on the reel, nor while it is coiled.

IMPORTANT! This IP54 rated tape light is suitable for indoor use in dry and damp locations, but not for direct contact with water or moisture Do not submerge flexible light in liquids, or use the product in the vicinity of standing water or other liquids, or where water can accumulate.

IMPORTANT! Do not route the cord or tape light through walls, ceilings, doors, windows, or any similar part of the building structure.

IMPORTANT! Secure tape light using only the adhesive provided with the tape and/or factory recommended mounting clips, mounting track, and aluminum channel (sold separately).

IMPORTANT! Do not secure this product or its cord with staples, nails, or like means that may damage the outer jacket or cord insulation.

IMPORTANT! Do not use if there is any damage to the tape light, diodes or power cord insulation; inspect periodically.

IMPORTANT! Do not install on gates or doors, or where subject to continuous flexing.

IMPORTANT! Do not install in airtight tanks or enclosures of any kinds.

IMPORTANT! Size your 24V DC driver appropriately for your run distance. Be sure not to load a driver to 100% as this will reduce its efficiency; a 90% maximum load is recommended.

WARNING! These products may represent a possible shock or fire hazard if improperly installed or attached in any way. Products should be installed in accordance with these instructions, current electrical codes, and/or the current National Electric Code (NEC).

WARNING! Use only with 24V DC drivers with a wattage capacity that can handle the total load; see page 2 for more details. Factory warranty will be void if used with a non-recommended power supply, transformer or driver.

WARNING! To reduce the risk of fire, electric shock or injury to persons, make sure that the electrical power to the system is disconnected at the source prior to installation or any servicing.

WARNING! Never fold Vibrant® or bend past the minimum bending radius of 1" whether lighted or unlighted.

WARNING! This device must be protected by a circuit breaker (20A max).

ATTENTION! Cet appareil doit être protégé par un disjoncteur (20A max.)



IMPORTANT! Using this product in a manner other than outlined in this document voids your warranty. Further, Control4 is NOT liable for any damage incurred with the misuse of this product. See "Troubleshooting."



IMPORTANT! Control4 does not guarantee the performance of any bulb or lamp/fixture in your environment. CUSTOMER ASSUMES ALL RISKS, INCLUDING ANY DAMAGE TO CONTROL4 PRODUCTS, ASSOCIATED WITH (i) THE TYPE, LOAD RATING AND QUALITY OF THE BULB AND LAMP/FIXTURE, OR (ii) ANY USE OR INSTALLATION NOT IN ACCORDANCE WITH THE DOCUMENTATION FURNISHED BY CONTROL4, EITHER WITH THE CONTROL4 PRODUCT OR AT WWW.CONTROL4.COM.

Installing the tape light

Ensure that the location and intended use meet the following criteria:

- Your tape light does not exceed the maximum run length.
- Your power supply is rated for the total wattage of the run.
- The voltage drop from the tape light length and the length of connecting wires does not go below 21.6V.

To install the tape light, perform the following steps:

- Before you install the tape light, connect all connectors with lead wires and jumpers.
- Align the end of the tape so that it is centered in the extrusion and parallel with its sides.
- Using firm pressure, work your way along the tape, pressing it into the extrusion.
- If installing the tape light to a curved surface, you may cut the extrusion into smaller segments. However, they must be spaced closely enough that the tape light does not hang or sag.

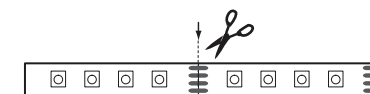


TIP: Using an extrusion for your tape light is strongly recommended to ensure a solid surface for the adhesive on the tape, to dissipate the heat generated by the tape, and to diffuse the light for consistent lighting.

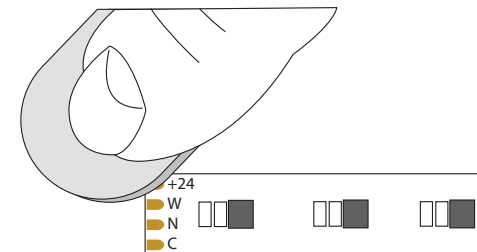
Cutting the tape light

Do not exceed the maximum tape light run length in any single run (see Specifications on page 1).

- Cut the tape light only at a designated cut increment. Cut increments are clearly marked on the tape light. Ensure an even cut along the center of the copper conductors to ensure enough surface area is exposed for snap connector pins to pierce through.



- The tape light is protected by clear coating. Use the supplied emery board on the exposed copper conductors to remove the coating for a better connection.



NOTE: You do not need to solder or terminate the cut end of the tape light.



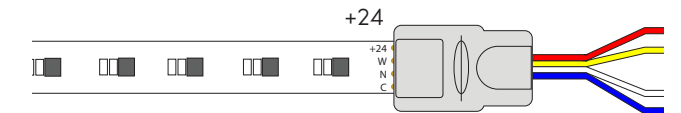
IMPORTANT! Do not exceed the maximum tape light run length in any single run.



WARNING! Ensure the cut angle is 90°. Cutting diagonally or horizontally through the tape light body may damage the tape light.

Connecting the tape light using heavy-duty connectors with leads or jumpers

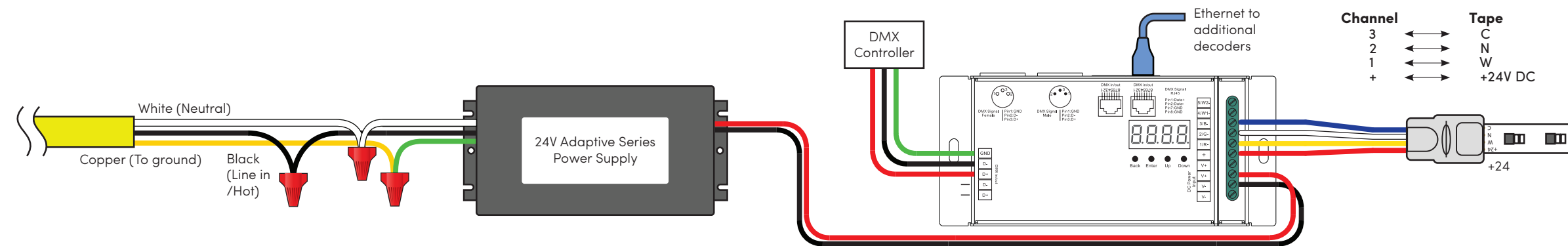
- Ensure polarity of the conductors on the connected piece of tape light and the polarity of the wires align.



- Peel a small portion of the protective backing from the tape light on the end to be connected, then insert cut tape light end into the Four-Wire Heavy-Duty Connector.
- Close the connector onto the tape light. Using pliers, apply pressure on each side of the connector, not just in the middle. Ensure the teeth cut through the tape light and the connector closes completely.

Connecting the tape light to a DMX decoder

- 1 Determine which receiver and controller you need for the application. Vibrant Fully Tunable tape is compatible with 3 channel DMX controls and 4-pin connectors.
- 2 Attach the wires for the wiring adapter to terminals of the DMX decoder, following polarity markings. See diagram below for single receiver connection with one length of tape light attached. Note that the red lead wire is positive (+), yellow lead wire is **W** and should go to channel **1**, white lead wire is **N** and should go to channel **2**, and blue lead wire is **C** and should go to channel **3**.
- 3 Connect the DMX controller (gateway) to **GND**, **D-**, and **D+**.
- 4 Install the power supply according to its installation guide (for the Vibrant 24V power supply, see ctrl4.co/vibrant-powersupply-ig). Connect the 24V power supply to the DMX decoder, connecting **red** to **V+** and **black** to **V-**.



Warranty and legal information

Find details of the product's Limited Warranty at snapone.com/legal or request a paper copy from Customer Service at 866.424.4489.

Find other legal resources, such as regulatory notices and patent information, at snapone.com/legal.